

# B205/B209 Product Support Guide

**Introduction:**

<b>Launch Date:</b>	09/2005
<b>S/N Configuration:</b>	K85/K86
<b>Product Code:</b>	B205/B209

Product Code	Gestetner	Lanier	Ricoh	Savin
B205	DSm725	LD225	3025	8025
B205	DSm725sp	LD225SP	3025SP	8025sp
B205	DSm725spf	N/A	3025SPF	8025spf
B205	DSm725spi	N/A	3025SPi	8025spi
B205	DSm725p	N/A	3025P	8025P
B209	DSm730	LD230	3030	8030
B209	DSm730sp	LD230SP	3030SP	8030sp
B209	DSm730spf	N/A	3030SPF	8030spf
B209	DSm730spi	N/A	3030SPi	8030spi
B209	DSm730p	N/A	3030P	8030P

**Product Concept:**

The B205/B209 is the next generation of B/W MFP Products. The series offers new Document Management Solutions not available on the previous MFP machines.

**New Features / Options:**

- Embedded Scan to Email
- Fax Forwarding to Folder
- Scan to SMB
- Scan to FTP
- Scan to URL
- Scan to NCP
- LDAP Support (up to 5 servers)
- Paperless / Serverless Fax
- Internet Fax
- New Web Address Book Features
- Web Image Monitor
- New Security Features
- New Printing Features

**Copy Speed:**

B205 – 25cpm  
 B209 – 30cpm



## B205/B209 Product Support Guide

**Training Information:**

Technicians with certification on the B089/B093, will be automatically certified on the B205/B209 Series upon receipt and review of the B205/B209 Documentation Update package.

**Training Prerequisites:**

Technicians who are **not** eligible for automatic certification can be trained on all models by attending the Core Basics five-day course.

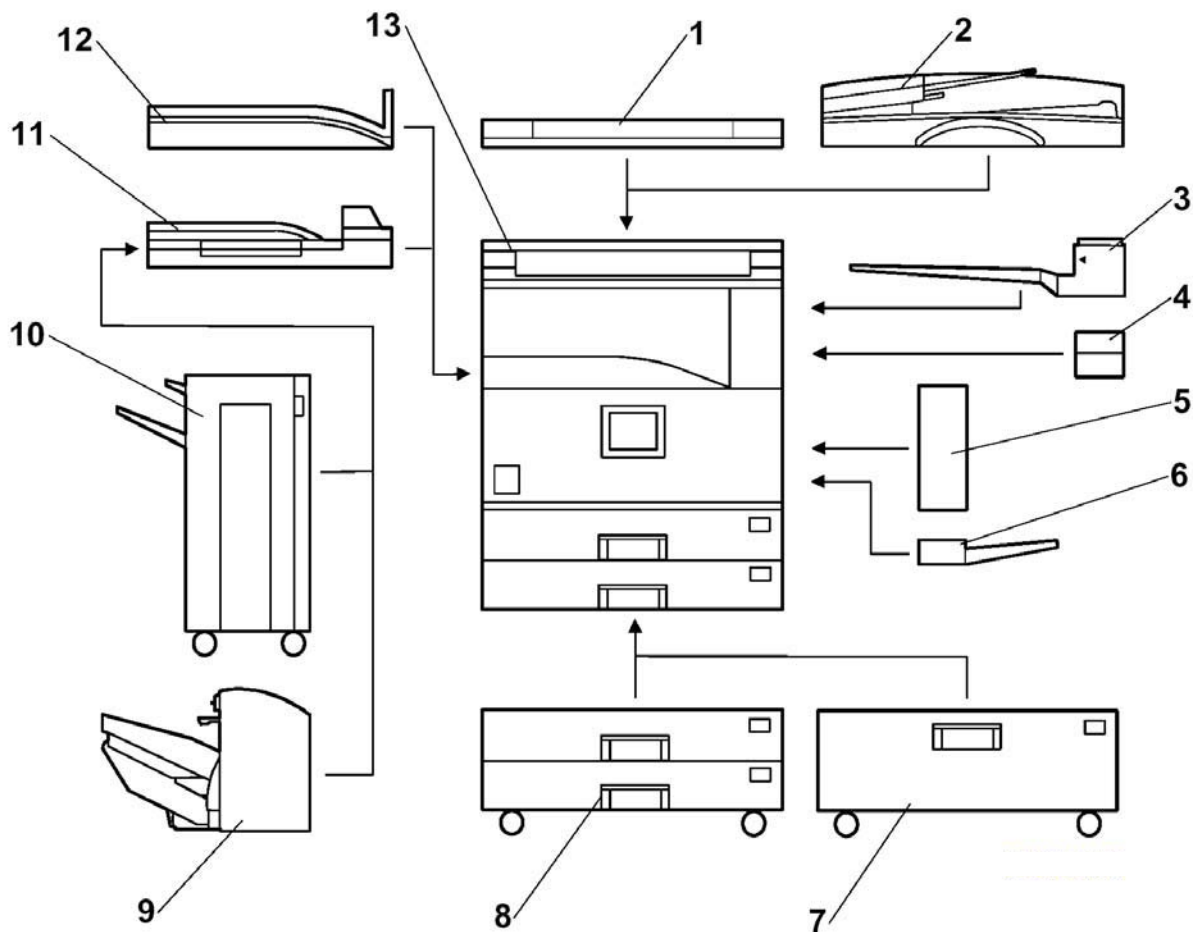
**Documentation:**

Description	EDP Code
B209/B209 Core Basic Course (5 days)	N/A
B205/B209 Service Documentation Update Package	002530MIU
B205/B209 Service Manual	002531MIU
B205/B209 Parts Catalog	002532MIU
B205/B209 Point to Points:	002533MIU

If you have any questions regarding this or any other training, please contact the Service Education and Development Division at (973) 882-5797.

# B205/B209 Product Support Guide

## Machine Configuration:



## B205/B209 Product Support Guide

## Machine Configuration:

	Item	Product Code	Item
Copier	Mainframe	B205/B209	13
	ARDF (DF83)	B810	2* <sup>1</sup>
	Platen Cover Type 1018	B406	1* <sup>1</sup>
	Bridge Unit Type 2027	B417	11 * <sup>5</sup>
	1000 Sheet Finisher SR790	B408	10 * <sup>4</sup>
	500 Sheet Finisher SR820	B442	9 * <sup>4</sup>
	PS490 Paper Bank	B390	8* <sup>2</sup>
	PS500 LCT	B391	7* <sup>2</sup>
	Shift Tray 1027	B459	12 * <sup>5</sup>
	1 Bin Tray PT280	B413	3
	Bypass Tray Type 2027	B415	6* <sup>3</sup>
	Duplex AD420	B414	5* <sup>3</sup>
	Interchange Unit	B416	4* <sup>3</sup>
	FAC Cabinet		Not shown * <sup>2</sup>
	Key Counter Bracket Type 2027	B452	Not shown
	Data Overwrite Security Unit	B735	Not shown
	Copy Data Security Unit	B770	Not shown
	HDD	B773	Not shown
	Fax Unit	B766	Not shown
	Handset	B433	Not shown
	G3 Interface Unit	B768	Not shown
	SAF Memory 32MB	G578	Not shown
	User Account Enhance Unit	G395	Not shown

\*<sup>1</sup> Cannot install Items 1 or 2 at the same time

\*<sup>2</sup> Cannot install Items 7, 8 or cabinet at the same time

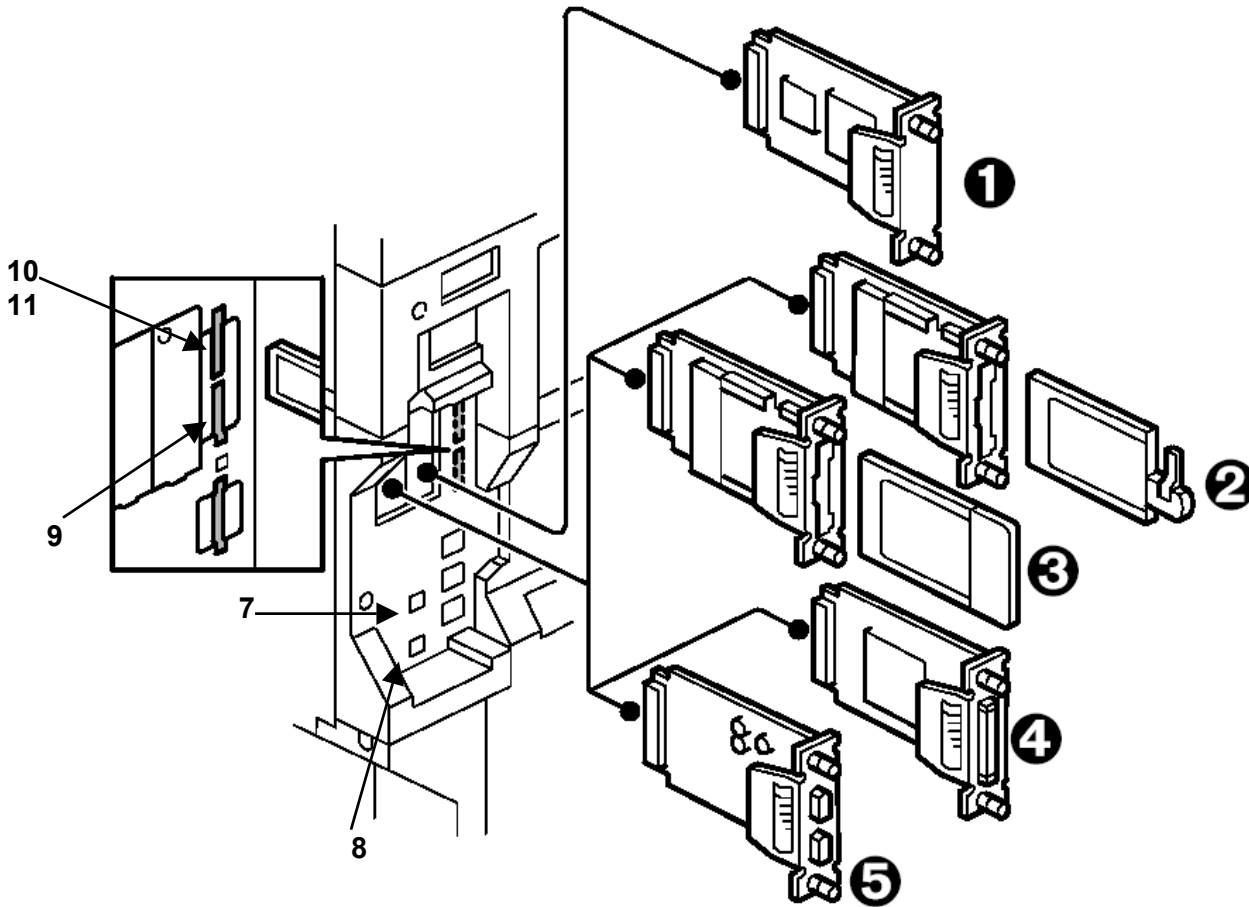
\*<sup>3</sup> Items 4,5,6 standard in all configurations

\*<sup>4</sup> Cannot install Items 9 and 10 at the same time

\*<sup>5</sup> Cannot install Items 11 and 12 at the same time

# B205/B209 Product Support Guide

## Printer/Scanner Configuration:



Number	Item	Code	Remarks
1	File Format Converter (MLB)	B609	
2	Bluetooth Interface Unit *1	B736	Slot 1 or 2
3	IEEE802.11b – Wireless LAN *1	G813	
4	IEEE1284 Interface Board – Centronics *1	B679	
5	IEEE1394 Interface Board – Firewire *1	B581	
6	Memory 256M	G818	Not Shown
7	USB 2.0	---	Standard Built into Controller
8	NIB Network Interface	---	
9	PostScript 3 *2	B757	SD Card (C2)
10	Printer Scanner Unit *3	B767	SD Card (C1)
11	Printer Unit *3	B846	

\*1 Only one of these boards can be installed at one time.

\*2 If both PS3 and DOS (Data Overwrite Security B735) are required, DOS must be moved to the PS3 SD Card with SP5878-001.

\*3 Can only install one of these SD Cards can be installed at one time.

# B205/B209 Product Support Guide

## Cross Reference Matrix:

○ Must Install Together      ● Cannot Install Together      △ Refer to Note 1 Below

		1	2	3	4	5	6	7	8	9	10	11	12	13	14	15	16	17	18	19	20	21	22	23	24	25	26	27	28	29
1	ARDF	■	●																											
2	Platen Cover	●	■																											
3	1 Bin Tray			■									○																	
4	Bridge Unit				■	●			○	○																				
5	Shift Tray				●	■																								
6	Paper Bank					■	●																							
7	LCT						■	●																						
8	1K Finisher ***				○	●	○	○	■	●																				
9	500 Finisher				○	●			●	■																				
10	Duplex Unit										■																			
11	Bypass Tray											■																		
12	Inchange Unit			○							○		■																	
13	IEEE 1394 *													△	△					○	○			△	△					
14	IEEE 802.11B *													△	△	△				○	○			△	△					
15	IEEE 1284 *													△	△	■				○	○			△	△					
16	Fax Unit																■													●
17	G3 Unit																○	■												●
18	SAF 32MB Memory																○													●
19	Handset																○													●
20	Printer/Scanner Option																						○							
21	.HDD **																							○						
22	256 MB Memory																							○	■					
23	PS3.																						○	○	■					
24	Bluetooth *														△	△	△						○	○	■	△				
25	File Format Converter														△	△	△						○	○	■	△				
26	User Account Enhance														△	△	△						○	○	■	△				
27	DOSS																									■				
28	Copy Data Security																							○				■		
29	Key Counter Bracket																													■

Note: \* IEEE 1394, IEEE 802.11B Wireless Lan I/F, IEEE1284 Bluetooth, and File Format Converter: can be installed two item out five, but Bluetooth and Wireless Lan I/F cannot be installed together.  
 \*\* HDD is included with Printer/Scanner Unit or Printer Unit.  
 \*\*\* LCT, Paper Bank or Cabinet is required to use 1K finisher

## B205/B209 Product Support Guide

**New Features:**

- **On Demand & Auto Email Notification** ⇒ Status or alert of the machine will be notified to admin or IT manager automatically and remotely via e-mail. This will improve the manageability of the machine.
- **Inbound Fax to Folder with E-mail Notification** ⇒ Improvement of inbound fax management and workflow, as well as security of the inbound fax.
- **Enhanced and New Printer Features** ⇒ Accomplishment of better usability, functionality and security as ID folder with enhanced Lock Print, Sample Print and new printer job types, Hold Print, Store Print.
- **Security feature: Windows Authentication:** ⇒ Authenticates an individual user by utilizing the existing Windows network username / password. No one without a valid username / password can access the machine.
- **LDAP Authentication** ⇒ Eliminates the unauthorized usage and access to the machine.
- **HDD data protection: Data Overwrite Security option (DOSS):** ⇒ It eliminates the risk of unauthorized access to the information remaining on HDD of the machine.
- **Enhanced Fax Features:**
  - ⇒ IP Fax
  - ⇒ Forwarding inbound faxes to Folder
  - ⇒ Inbound Fax to Folder with Email Notification
  - ⇒ LAN-Fax result by E-mail (Not required User Code)
- **Environmental Friendly:** ⇒ Abolished environmental sensitive materials. (Lead, Chromium, PVC, Cadmium free) in compliance with EU RoHS directive. (RoHS: Restriction of Hazardous Substances, effective from July 2006).
- **Scan to URL** ⇒ Utilizing the HDD, scanner images will be stored for viewing or downloading via Web, provides an improvement of the network productivity by reducing network traffic in Scan to Email.
- **Scan to NCP (Netware)** ⇒ This feature will enable capturing the new Novell network environment users.
- **Fax number search via LDAP** ⇒ Manageability in documents distribution destinations like Email address search for Scan to Email.
- **Encryption** ⇒ Prevents data theft or falsification during transmissions.
- **Unauthorized Copy Control Features** ⇒ Eliminates the risk of unauthorized copy of sensitive documents printed out.

## B205/B209 Product Support Guide

### Security Features:

- Security feature: Windows Authentication:
  - ⇒ Eliminate unauthorized usage of the machine.
  - ⇒ Can limit the access to any or all application.
  - ⇒ Utilize existing Windows network login infrastructure without additional investment.
  - ⇒ Eliminate "From" field spoofing.
  - ⇒ Efficiency in Manageability: No additional login password system to register and manage
  - ⇒ Simplicity: No additional password to remember for general users.
  - ⇒ Supported SSL version: TLS ver.1
  - ⇒ Supported Windows OS version: Windows NT 4.0 with SP6a and Exchange Server5.5 with SP4 or Windows Server2000 or Windows Server2003.
  - ⇒ "Active directory" is standard option of Widows 2000/2003 server, but it is necessary to install separately.
  - ⇒ Installment of Active directory to domain controller is required.
  
- LDAP Authentication:
  - ⇒ Security: Eliminates unauthorized access or usage of the machine.
  - ⇒ Minimum investment: Utilizes existing network login infrastructure.
  - ⇒ Simplicity: No additional login-password for both IT and general users.
  - ⇒ Supported SSL version: TLS ver.1
  - ⇒ Supported LDAP version: LDAP ver.3
  - ⇒ If the personal information in the LDAP server is modified, information update of machine's address book is executed automatically when authenticating user by LDAP authentication.
  - ⇒ Users cannot be authenticated if they do not have their accounts in the LDAP server.
  - ⇒ Manageability: Allow user authentication even without registering individual setting in the address book of the MFP.
  - ⇒ (Note: machine address book does not synchronize with the LDAP Server and therefore user information in the machine address book needed to be change manually if there is any changes of the user account information in the LDAP Server.
  
- Basic Authentication
  - ⇒ Authenticates an individual user by utilizing MFP original username/password system.
  - ⇒ Only users with a valid username/password allow to access to the machine.
  - ⇒ Can set to limited access to any or all application.
  - ⇒ Authentication system can be introduced into the non-Windows network login infrastructure.
  
- Encryption:
  - ⇒ When accessing to the machine using a Web browser, IPP, or Smart Device Monitor for Admin, it is possible to establish
  - ⇒ Protect data from interception, analysis and tampering encrypted communication by using Secure Socket Layer (SSL).



## B205/B209 Product Support Guide

### Security Features:

- SNMPv3 Encrypted Communication:
  - ⇒ It is possible to realize encrypted communication via SNMPv3 when making machine setting by Smart Device Monitor for Admin.
  - ⇒ Can protect data from interception and tampering.
  - ⇒ To realize complete encrypted communication when using SmartDeviceMonitor for Admin, following two settings are required other than this setting.
    - 1) Network Administrator's [Encryption Password] setting.
    - 2) [Encryption Key] settings of [SNMP V3] in SmartDeviceMonitor for Admin.
  
- Encrypt Address Book:
  - ⇒ Even if hard disk drive is removed, disposed of or stolen, the data in the address book is protected by encryption and cannot be read.
  
- HDD data protection Data Overwrite Security System (DOSS) option:
  - ⇒ Eliminate the risk of unauthorized access to the information remaining on HDD of the machine.
  - ⇒ The DOSS solution was designed to provide customers that have requirements for document security while using digital copiers an easy to use and implement hard drive latent data security solution
  - ⇒ The DOSS solution was designed to help sell more mainframes by adding a security solution for classified documents handling applications.
  
- Authentication for Administrator and User:
  - ⇒ To control administrators' and users' access to the machine, these series provides Administrator Authentication and User authentication. Login username and login password inputting is required in both authentications.
  
- Permit Settings by SNMP V1 and V2:
  - ⇒ When the machine is accessed by using the SNMPV1, V2 protocol, authentication cannot be performed. So there is a possibility that administrator settings such as the paper setting to be changed. If you select [Off], the setting can be viewed but not specified with SNMPV1, V2.
  
- Driver Encryption Key:
  - ⇒ By setting same encryption key both for machine and users' printer drivers, it is possible to encrypt login password.
  - ⇒ Enter the Driver Encryption Key using up to 32 alphanumeric characters.
  
- PDF Password:
  - ⇒ By setting same password both for machine and Desktop Binder Lite, it is possible to encrypt password for PDF files when using PDF Direct Print function.
  
- Prevent Stored Documents from Unauthorized Access:
  - ⇒ Stored files in the HDD can be prevented from unauthorized access and edit by limiting access rights to the files.

## B205/B209 Product Support Guide

### Security Features:

- Unauthorized Copy Control Features:
  - ⇒ A mask type pattern, which covers the document, will be lightened and the embedded message will remain. This will be a deterrent effect in making an unauthorized copy.
  - ⇒ Select Data Security for Copying mode from the RPCS driver when printing confidential documents. A special masking pattern will be embedded in the printed document. And if you try to copy, the machine will detect the special masking patterns and gray out the output copy.
- Network Port (Protocol) On/Off:
  - ⇒ Closes the specific port (protocol) such as SNMP and FTP through mainframe or device management utilities (WebImageMonitor/SmartDeviceMonitor) to prevent the illegal access to the network.
  - ⇒ Prevent following possible threats:
    - ⇒ Destruction, corruption, and modification of the file system
    - ⇒ Possibility of acting as a server for relaying viruses
    - ⇒ Possibility of successful DoS(Denial of Service) Attack
    - ⇒ Theft of user name or password
- Permit Simple Encryption:
  - ⇒ Under Windows 95/98/Me, advanced encryption is not possible with the printer driver or TWAIN driver, so simple encryption is used. If selecting [Off] in this function, printing with simple encryption is not allowed and users cannot connect using the printer driver or TWAIN driver under Windows 95/98/Me.
- Permit Display of User Information:
  - ⇒ By this setting, when checking the job history via network without any authentication, all personal information can be displayed as "\*\*\*\*\*". For example, when someone not authenticated as an administrator checks the job history using SNMP in Smart Device Monitor for Admin, personal information can be displayed as "\*\*\*\*\*" so users cannot be identified.
- IPP Authentication:
  - ⇒ Specify the IPP password for the machine using Web Image Monitor. Select the authentication method from the following three authentication methods.
    1. Disable: No restriction for accessing the machine by using IPP.
    2. Basic: When accessing to machine by using IPP, User name and Password inputting is required. However, Username and password is not encrypted
    3. Digest: When accessing to machine by using IPP, Username and password inputting is required. In addition username and password is encrypted.

## B205/B209 Product Support Guide

### Printer Option Features:

#### New Features / Options:

- Enhanced and New Printer Features - with Enhanced Sample Print, Locked Print and New “Hold Print”, “Stored Print”
- Mask Type for Copying & Data Security for Copying –RPCS Driver-
- Password Encryption Key from the driver (PCL & RPCS)
- Security Features: Windows Authentication / Encryption
- PDF Direct Print
- IEEE1284/ECP Optional

#### General Features:

Printing module:	Built in standard
Controller CPU:	RM7035C-466 466MHz
Memory capacity:	384MB (Resident: 128MB + Additional 256MB) Additional 256MB memory is mandatory for printing function
HDD:	20GB Standard with Printer/Scanner Option or Printer Option
Supported Printer language:	<ul style="list-style-type: none"> <li>➤ Standard: RPCS, PCL5c, PCL6</li> <li>➤ Option: Adobe PostScript3</li> </ul>
Fonts:	<ul style="list-style-type: none"> <li>➤ PCL: 59 fonts</li> <li>➤ (TrueType: 10 fonts, Intellifont: 35 fonts, International font: 13 fonts, Bitmap fonts: 1 font)</li> <li>➤ PS3: 136 Adobe PostScript Type 1 fonts (optional)</li> </ul>
Standard I/F:	<ul style="list-style-type: none"> <li>➤ Ethernet (100 base TX/10 base T)</li> <li>➤ USB2.0</li> </ul>
Optional I/F:	<ul style="list-style-type: none"> <li>➤ IEEE1284 (Parallel Port)</li> <li>➤ IEEE1394</li> <li>➤ Wireless LAN</li> <li>➤ Bluetooth</li> </ul>
Network Protocol:	<ul style="list-style-type: none"> <li>➤ TCP/IP</li> <li>➤ IPX/SPX,</li> <li>➤ AppleTalk</li> </ul>
Network Operating Systems:	<ul style="list-style-type: none"> <li>➤ Windows 95/98SE/NT4.0/2000/Me/XP/Server 2003</li> <li>➤ Netware 3.12, 3.2, 4.1, 4.11, 5.0, 5.1, 6, 6.5</li> <li>➤ Unix; Sun Solaris, HP-UX, SCO OpenServer, RedHat Linux, IBM AIX</li> <li>➤ Mac OS 8.6-9.2x, OS X 10.1 or later</li> <li>➤ SAP R/3</li> <li>➤ NDPS Gateway</li> <li>➤ IBM iSeries / AS/400® using OS/400 Host Print Transform</li> </ul>
Print Resolution:	<ul style="list-style-type: none"> <li>➤ 200/300/600 dpi</li> </ul>
PDF Direct Print:	<ul style="list-style-type: none"> <li>➤ Yes (PostScript3 option is required)</li> </ul>

## B205/B209 Product Support Guide

**Scanner Option Features:****New Features / Options:**

- LDAP Support (up to 5 servers) Can be updated from WIM
- Scan to URL
- Scan to NCP (Netware)
- Scan Type Single Page PDF available

**General Features:**

Optical Resolution:	600 dpi 256 shades of gray
Scan Speed:	E-mail/Scan to Folder/Network delivery Scanner 52 ppm: A4 LEF/Text/200dpi, MH compression.
Scan Area:	Main scan: 297mm (11.6"), Sub scan: 432mm (17")
Network Topology:	<ul style="list-style-type: none"> <li>➤ Ethernet 10/100BaseTX</li> <li>➤ IP over IEEE 1394</li> <li>➤ Wireless LAN (802.11b)</li> </ul>
Protocol:	<ul style="list-style-type: none"> <li>➤ Network: TCP/IP, IPX</li> <li>➤ Network Twain: SNMP, rsh</li> <li>➤ Sending E-mail: SMTP, POP3</li> <li>➤ Scan to Folder: SMB, FTP, NCP</li> </ul>
Detectable original size: contact glass	DLT SEF, LG SEF, LT SEF/LEF
Detectable original size: ADF	DLT SEF, LG SEF, LT SEF/LEF, HLT SEF/LEF
Compression Method:	TIFF (MH, MR, MMR) Grayscale: JPEG
Scan File Size:	MAX 2GB
File type:	Single Page TIFF/JPEG, Single Page PDF, Multi Page TIFF, Multi Page PDF

**Scan To Email:**

Requirement:	SMTP (Mail Server) Gateway and TCP/IP
Authorization function:	<ul style="list-style-type: none"> <li>➤ SMTP authentication</li> <li>➤ POP before SMTP authentication</li> </ul>
Resolution:	100dpi, 200dpi (Default), 300dpi, 400dpi, 600dpi
Register E-mail address in HDD:	Max. 2,000 addresses
Register Group address in HDD:	Max. 100 Group (Max. 50 addresses in one group address)
Destination E-mail address input via soft key:	Yes

## B205/B209 Product Support Guide

**Scan To Email:**

Max. Address numbers per send:	Max. 500 addresses per send	
Address numbers per send:	Address from HDD address book *1	Max. 500
	Address directly input via soft key *1 *2	Max. 100
	Address looked up via LDAP *1 *2	Max. 100
File type:	Single Page TIFF/JPEG, Single Page PDF, Multi Page TIFF, Multi Page PDF	
Program User Setting:	Yes (up to 10 programs)	
Divide and send e-mail:	Yes (By page or size) / No, Default = Yes (By size) *3	
LDAP:	Yes (not synchronize) up to 5	

\*1: Address from HDD address book + Address input via soft key + Address looked up via LDAP = Max.500.

\*2: Address directly input via soft key + Address looked up via LDAP = Max. 100.

\*3: If the sent file size exceeded the maximum E-mail size, it would be divided to multiple sending. In addition, the receiving side due to the limitation in the receiving capacity at the receiver SMTP server or E-mail software setting might not accept the sent files.

**Scan To Folder:**

Protocol Support:	<ul style="list-style-type: none"> <li>➤ SMB (Server Message Block)</li> <li>➤ FTP (File Transfer Protocol)</li> <li>➤ NCP (NetWare Core Protocol)</li> </ul>
Security:	<ul style="list-style-type: none"> <li>Client folder log-in (log-in name and password)</li> <li>Encryption of log-in name and password during transmission</li> </ul>
Resolution:	<ul style="list-style-type: none"> <li>➤ 100dpi,</li> <li>➤ 200dpi (Default)</li> <li>➤ 300dpi</li> <li>➤ 400dpi</li> <li>➤ 600dpi</li> <li>➤</li> </ul>
Register client folder address in HDD:	Max. 2,000 folders
Maintain client folder address in HDD:	<ul style="list-style-type: none"> <li>➤ Direct input on operation panel,</li> <li>➤ Web Image Monitor</li> <li>➤ Smart Device Monitor</li> </ul>
Destination client folder address input via soft key:	<ul style="list-style-type: none"> <li>➤ SMB: Network path -&gt; Client folder -&gt; Password</li> <li>➤ FTP: Server -&gt; Network path -&gt; User account -&gt; Password</li> </ul>
Search client folder Address:	<ul style="list-style-type: none"> <li>➤ SMB: Network Browsing directly to the designated folders Manual input of network path</li> <li>➤ FTP: Manual input of network path</li> <li>➤ NCP Network Browsing directly to the designated folders Manual input of network path</li> </ul>
Max. Client folder numbers per send:	Max. 50 client folders / PCs per send

## B205/B209 Product Support Guide

**Scan To Folder:**

Group address:	Max. 100 groups Registered destinations in one group: 50
Scan File Size:	MAX 2GB
File Size when combined Scan to Folder & Scan to E-mail:	128- 102,400kB, Default = 2,048KB (Scan to E-mail file size applied).
File type:	<ul style="list-style-type: none"> <li>➤ Single Page TIFF/JPEG</li> <li>➤ Single Page PDF</li> <li>➤ Multi Page TIFF</li> <li>➤ Multi Page PDF</li> <li>➤</li> </ul>
Program User Setting:	Yes (up to 10 programs)
Dividing file in Scan to E-mail:	Yes (By page or size) / No, Default = Yes (By size) (When Scan to PC combine with Scan to E-mail)

**Network TWAIN:**

OS:	<ul style="list-style-type: none"> <li>➤ Win95/98/ME</li> <li>➤ WinNT4.0/2000</li> <li>➤ Win XP</li> <li>➤ Win Sever2003</li> </ul>
Resolution:	<ul style="list-style-type: none"> <li>➤ Scanner: 600dpi</li> <li>➤ Driver: Binary-1,200dpi</li> <li>➤ 256 level-1,200dpi</li> </ul>
Network:	Protocol: TCP/IP

**Fax Option Features:****New Features:**

- Direct SMTP
- IP Fax (T.38)
- IP Fax sending results
- Fax Forward to Folder
- E-mail notification of Inbound Fax to Folder
- LDAP Support with Fax address search
- Max 3G 3 lines 3
- JBIG Standard
- Program Parameter Switch with Web Image Monitor
- Internet Fax T.37 Full mode
- New LAN-Fax Features
- IP Fax (T.38)

## B205/B209 Product Support Guide

**General Features:**

Compression method:

- MH
- MR
- MMR
- JBIG

Scanning speed (DF Used):

- 0.56sec. (A4/LT SEF, Standard/Detail mode),
  - 0.40sec. (A4/LT LEF, Standard/Detail mode)
  - 1.12sec. (A4/LT SEF, Super Fine mode)
  - 0.80sec. (A4/LT LEF, Super Fine mode)
- \*ITU-T No1 chart, 200 x 100 dpi (Standard mode),  
200dpi(Detail mode), 400dpi(Super Fine mode)

Number of Pages Scanned:  
(With ARDF)

- |                               |   |
|-------------------------------|---|
| A4/LT SEF                     | <ul style="list-style-type: none"> <li>➤ Standard mode: 44 cpm</li> <li>➤ Detail mode: 44cpm</li> <li>➤ Super Fine mode: 34 cpm</li> </ul>  |
| A4/LT LEF /<br>image rotation | <ul style="list-style-type: none"> <li>➤ Standard mode: 50 cpm</li> <li>➤ Detail mode: 50 cpm</li> <li>➤ Super Fine mode: 26 cpm</li> </ul> |

SAF Memory size:

4MB (Approx.320 pages)

With Optional SAF Memory 28MB (Approx. 2,240 pages)

Page Memory Size:

8MB

With Optional SAF Memory 16MB

**Internet Fax By E-mail Features:**

Network:

- LAN: Local Area Network
- Ethernet/10Base-T, 100Base-TX
- IEEE1394 (IP over 1394)
- IEEE802.11b (wireless LAN)

Transmit function:

E-mail

Scan line density

- 200x100dpi (standard character)
- 200x200dpi (detail character)
- 200x400dpi (fine characters: optional) \*1
- 400x400dpi (super fine character, optional) \*1

Original size: Scanning  
width:

- A3 \*1
- B4 \*1
- A4

Communication Protocols:

- Transmission: SMTP, TCP/IP
- Reception: POP3, SMTP, IMAP4, TCP/IP

E-mail format:

- Single/Multi-part, MIME Conversion
- Attached file forms: TIFF-F (MH, MR \*1, MMR \*1 compression)

## B205/B209 Product Support Guide

### Internet Fax By E-mail Features:

Authentication method:	<ul style="list-style-type: none"> <li>➤ SMTP-AUTH</li> <li>➤ POP before SMTP</li> <li>➤ A-POP</li> </ul>
Internet communication:	Send and receive e-mail with a computer that has an e-mail address
E-mail send function:	Automatic conversion of sent documents to e-mail format and E-mail transmission. Memory transmission only.
E-mail receive function:	Automatic detection and printing of appended TIFF-F (MH) files and ASCII text. Memory reception only.

\*1 Full mode

### IP- Fax Features:

Network:	<ul style="list-style-type: none"> <li>➤ LAN: Local Area Network</li> <li>➤ Ethernet/10base-T</li> <li>➤ 100base-TX</li> <li>➤ IEEE1394 (IP over 1394),</li> <li>➤ IEEE802.11b (wireless LAN)</li> </ul>
Scan line density:	<ul style="list-style-type: none"> <li>➤ 8 x 3.85 lines/mm, 200x100dpi (standard character)</li> <li>➤ 8 x 7.7 lines/mm, 200x200dpi (detail character),</li> <li>➤ 8 x 15.4 lines/mm 200 x 400 dpi (fine character: optional expansion memory required),</li> <li>➤ 16 x 15.4lines/mm, 400x400dpi (super fine character: optional expansion memory required)</li> </ul>
Original size:	Maximum A3 or 11"x 17" (DLT)
Maximum scanning size:	Standard: A3, 297mm x 432mm, Irregular: 297mm x 1200mm
Transmission protocol:	Recommended: T.38 Annex, TCP, UDP/IP communication, SIP (RFC 3261 compliant), H.323 v2
Compatible machines:	IP-Fax compatible machines
IP-Fax transmission function:	Specify IP address and send fax to an IP-Fax compatible fax through a network. Also capable of sending fax from a G3 fax connected to the public telephone lines via a VoIP gateway.
IP-Fax reception function:	Receive faxes sent from an IP-Fax compatible fax through a network. Also capable of receiving faxes from a G3 fax connected to a telephone line via a VoIP gateway

### LAN – FAX Driver:

Paper Size:	<ul style="list-style-type: none"> <li>➤ LT (Default)</li> <li>➤ LG</li> <li>➤ B5</li> <li>➤ A5</li> </ul>
Resolution:	<ul style="list-style-type: none"> <li>➤ 200x100dpi</li> <li>➤ 200x200dpi (Default)</li> </ul>



## B205/B209 Product Support Guide

**LAN – FAX Driver:**

Grayscale:	<ul style="list-style-type: none"> <li>➤ 400x400dpi</li> <li>➤ Off</li> <li>➤ On normal (Default)</li> <li>➤ On lighter</li> </ul>
Number of Address:	500
OS:	Windows 95/98, Windows Me, Windows NT4.0, Windows 2000, Windows XP, Windows2003 Server
LAN-FAX driver name:	LAN Fax M7

**General Main Frame Features:**

Configuration:	Desk Top
Print Process:	Dry Electrostatic Transfer System
Development System:	<b>New Style Dual Component System</b>
Original Type:	Sheet / Book
Original Size:	Max: 11"x17" / A3
	Tray 1 16/28 lbs / 60 - 105g/m <sup>2</sup>
	Tray 2 16- 42 lbs / 52 - 157 g/m <sup>2</sup>
Paper Weight:	Paper bank 17-28lbs / 64-105 g/m <sup>2</sup>
	LCT 17-28lbs / 64-105 g/m <sup>2</sup>
	Bypass Tray 16- 42 lbs / 52 - 157 g/m <sup>2</sup>
	Duplex Unit 17-28lbs / 64-105 g/m <sup>2</sup>
Copy Speed B205:	25 CPM
Copy Speed B209:	30 CPM

## B205/B209 Product Support Guide

## Utility Software:

Software	Description
Font Manager (Win95/98/ME, NT4, 2000, XP, Server 2003):	<ul style="list-style-type: none"> <li>■ The Font Manager 2000 installs the screen fonts in your Windows 95/98/Me/NT 4.0/2000/XP/Server 2003. Installing the screen fonts for the printer fonts improves the WYSIWYG quality.</li> </ul>
Smart Device Monitor for Admin:	<ul style="list-style-type: none"> <li>■ A utility for administrators who need to manage and monitor printers over the network.</li> <li>■ The Smart Device Monitor for Admin for Windows 95/98/Me/NT 4.0/2000/XP/Server 2003</li> <li>■ Setup utilities are also available.</li> <li>■ Our device monitoring software has been renamed from Smart Net Monitor to Smart Device Monitor. Operation of Smart Device Monitor is the same as SmartNetMonitor. In case you already have SmartNetMonitor installed in your PC overwrite it with Smart Device Monitor, software settings and log data will be carried over.</li> </ul>
Smart Device Monitor for Client (Win95/98/ME, NT4, 2000, XP, Server 2003)	<ul style="list-style-type: none"> <li>■ A utility enables you to access networked printers to print, to monitor and to receive notices without a server. This utility also enables the following features: <ul style="list-style-type: none"> <li>◆ Recovery Printing</li> <li>◆ Parallel Printing</li> </ul> </li> <li>■ Our device monitoring software has been renamed from SmartNetMonitor to SmartDeviceMonitor. Operation of Smart Device Monitor is the same as Smart Device Monitor. In case you already have SmartNetMonitor installed in your PC overwrite it with Smart Device Monitor, software settings and log data will be carried over.</li> </ul>
Device Graphic Update Module	<ul style="list-style-type: none"> <li>■ Device Graphic Update Module provides bitmap images used to represent the various statuses of devices graphically within Smart Device Monitor or Web Smart Device Monitor. Available on website.</li> </ul>
DeskTop Binder	<ul style="list-style-type: none"> <li>■ DTB enables you to connect a client computer to an I/O device. You can efficiently input, edit, and output the data on your computer.</li> </ul>
Printer Utility for Mac	<ul style="list-style-type: none"> <li>■ This is a utility for Macintosh that provides access to several network printing administrative features.</li> </ul>
PS Descriptions	<ul style="list-style-type: none"> <li>■ PDD for Mac</li> <li>■ By interacting with the Adobe PostScript 3 controller in the device, this PPD is able to produce an accurate representation of the screen image.</li> </ul>
IEEE 1394 Printer Removal Utility	<ul style="list-style-type: none"> <li>■ This utility completely removes all printers connected via IEEE 1394 interface from your Windows 2000/XP/Server 2003 system. This will prepare your Windows 2000/XP/Server 2003 system for the proper reinstallation of IEEE 1394 printers.</li> </ul>
PPD Installer	<ul style="list-style-type: none"> <li>■ This PPD installer is used to install a PPD (Postscript Printer Description) file on Mac OSX. PPD files contain descriptions of printer capabilities such as paper sizes, number of input trays and duplexing. Once the PPD file is installed on the system using the PPD installer, the PS driver that comes bundled with Mac OS X can use the information in the PPD to control the print device and enable full functionality. Please see the Readme file for information about compatibility with versions of Mac OS X.</li> </ul>
LAN FAX Driver	<ul style="list-style-type: none"> <li>■ This software enables you to fax documents directly from your</li> </ul>

## B205/B209 Product Support Guide

Software	Description
	computer. The Address Book Editor and Cover Sheet Editor are installed as well. This software requires the optional fax unit to be installed on the machine. New M7 Driver
RPCS Driver	■ The RPCS printer drivers provide high productivity and simple operation.
PCL 6 Driver	■ The PCL 6 printer drivers provide faster printing and better what-you-see-is-what-you-get (WYSIWYG) than PCL 5c drivers.
PCL 5c Driver	■ The PCL 5c printer drivers are the recommended printer drivers for this printer. The PCL 5c printer drivers are recommended for users who need compatibility with PCL 5c printer.
Post Script Driver	■ The PostScript printer drivers generate PostScript commands.
USB Print	■ The USB Printing Support provides the solution for USB printing under Windows 98SE/Me. Windows will prompt for these support modules after it recognizes the printer on an USB port for the first time.
Network TWAIN Driver V4	■ TWAIN scanner driver for network connections with new features Combine/Series , compatible with SNMP V3and Network Connection Tool.
Microsoft Windows NT 4.0 Terminal Server Edition PCL 5e Driver	■ Printer driver for color printing in Windows. It supports HP PCL 5e commands. Basically, this is the same driver as PCL5e.
Microsoft Windows NT 4.0 Terminal Server Edition PCL 6 Driver	■ Printer driver for color printing in Windows. It supports HP PCL 6commands. Basically, this is the same driver as PCL6.
Microsoft Windows NT 4.0 Terminal Server Edition PS Driver	■ By interacting with the Adobe PostScript 3 controller in the device, this driver is able to produce an accurate representation of the screen image.
Microsoft Windows 2000 Terminal Services PCL 5c	■ Printer driver for color printing in Windows. It supports HP PCL 5e commands. Basically, this is the same driver as PCL5e.
Microsoft Windows 2000 Terminal Services PCL 6	■ Printer driver for color printing in Windows. It supports HP PCL 6 commands. Basically, this is the same driver as PCL6.
Microsoft Windows 2000 Terminal Services	■ By interacting with the Adobe PostScript 3 controller in the device, this driver is able to produce an accurate representation of the screen image.

**Total Counter Access**

- User Tools / Counter → Counter → Start
- User Tools / Counter → System Settings → Administrator Tools→Display / Print Counter List→ Start
- Mechanical Counters: Open Front Cover located center behind a hidden panel.
- User Tools / Counter → Printer Features → Config. Page
- Maximum 7 digits

# B205/B209 Product Support Guide

## Installation Requirements

- Temperature Range: 10°C to 32°C (50°F to 89.9°F)
- Humidity Range: 15% to 80% RH
- Aminent Illumination: Less than 1,500 LUX (do not expose to Direct sunlight.)
- Ventilation: Room air should turn over at least 30 m<sup>3</sup>/hr/person
- Ambient Dust: Less than 0.10 mg/m<sup>3</sup>

Avoid an area, which is exposed to sudden temperature changes. This includes:

- Areas directly exposed to cool air from an air conditioner.
- Areas directly exposed to heat from a heater.

Do not place the machine in an area where it will be exposed to corrosive gases.

Do not install the machine at any location over 2,000 m (6,500 ft.) above sea level.

Place the machine on a strong and level surface. (Inclination on any side should be no more than 5mm.)

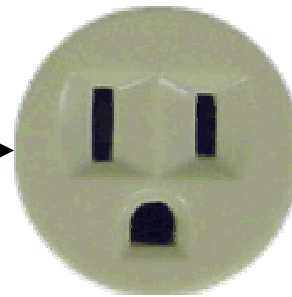
Do not place the machine where it may be subjected to strong vibrations.

### Machine Level:

- Front to back: Within 5 mm (0.2") of level
- Right to left: Within 5 mm (0.2") of level

### Power Requirements

- Input voltage level: 120 V, 60Hz: More than 12 A
- Permissible voltage fluctuation: ±10%
- Do not place anything on power cord.
- The required wall outlet is a NEMA 5-15R (receptacle) →

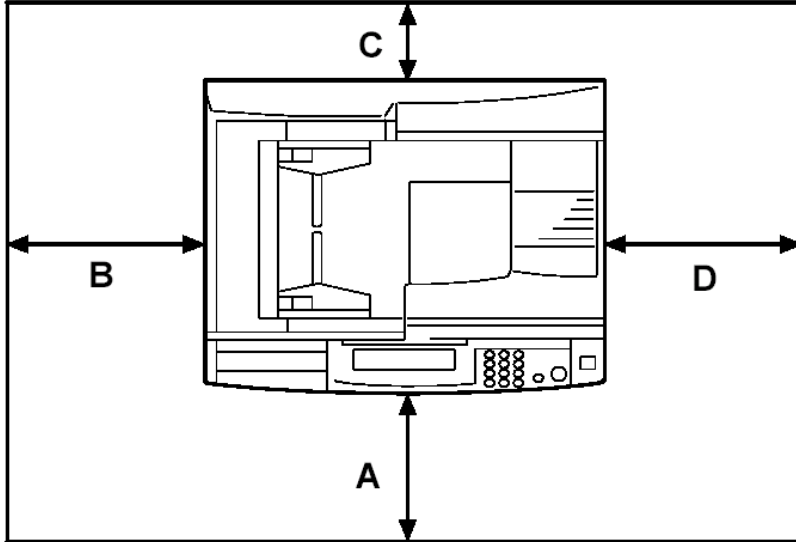


### Installation Times:

Unit	Installation Time (Minutes)	Unit	Installation Time (Minutes)
Main Frame	30	Printer Scanner Option	10
ARDF	10	Fax Option	15
Platen Cover	5	Postscript 3	5
1 Bin Tray	15	IEEE1394	5
Paper Bank/LCT	10	IEEE 1284	5
HDD	5	IEEE 802.11b	5
Blue Tooth	5	Fax (including all fax options):	20
Bridge Unit	10	Finisher 500 Sheet	5

# B205/B209 Product Support Guide

## Machine Space Requirements:



- A: In Front: Over 750 mm (29.6")
- B: Left: Over 100 mm (4.0")
- C: Rear: Over 100 mm (4.0")
- D: Right: Over 100 mm (4.0")

## PM Table:

Mainframe: B205/B209

**Unique/Common**  
 U: Unique for this mode  
 C: Common with listed model

\*1 part of PM Kit Part #: PMB20560K  
 \*2 part of PM Kit Part #: PMB205120K

Part Number	Description	Q'ty/ Unit	PM Interval	Unique or Common
<b>PCU</b>				
B0399510	OPC Drum	1	60k	C (B121)
B0392335	Pickoff Pawl *1	2	60k	C (B121)
AD027018	Charge Roller *1	1	60k	U
AD042058	Charge Cleaner Brush Roller *1	1	60k	U
AD041114	Blade Cleaning *1	1	60k	U
B1219640	Developer	1	60k	C (B121)
<b>Paper Feed</b>				
A2672751	Paper Feed Roller *2	2	120k	C (B089)
B2092831	Friction Pad *2	1	120k	C (B089)
A2672831	Friction Pad *2	1	120k	C (B089)
<b>Transfer Roller Unit</b>				
B2093831	Transfer/Separation Unit Ass'y *2	1	120k	C (B089)
<b>Fusing Unit</b>				
AE011100	Hot Roller *2	1	120k	C (B089)

## B205/B209 Product Support Guide

Part Number	Description	Q'ty/ Unit	PM Interval	Unique or Common
AE020161	Pressure Roller *2	1	120k	C (B089)
AE044025	Hot Roller Stripper *2	5	120k	C (B089)
AW100053	Thermistor *2	2	120k	C (B089)

## Auto Reverse Document Feeder: B386

Unique/Common  
**U:** Unique for this mode  
**C:** Common with listed model

Part Number	Description	Q'ty /Unit	PM Interval (Originals)	Unique or Common
A8592141	Belt Paper Feed	1	120K	C (DF68)
A8592241	Reverse Roller	1	120K	C (DF75)
B3862171	Pick-up Roller	1	120K	C (DF75)

## Paper Tray Unit: B390 (PS490)

Unique/Common  
**U:** Unique for this mode  
**C:** Common with listed model

Part Number	Description	Q'ty /Unit	PM Interval	Unique or Common
A2672751	Paper Feed Roller	2	120K	C (B089)
A8602831	Friction Pad	2	120K	C (B089)

## LCT: B391 (PS500)

Unique/Common  
**U:** Unique for this mode  
**C:** Common with listed model

Part Number	Description	Q'ty /Unit	PM Interval	Unique or Common
AF031035	Feed Roller	1	120K	C (PS420)
AF032035	Separation Roller	1	120K	C (PS420)
AF030035	Pick-up Roller	1	120K	C (PS420)

## B205/B209 Product Support Guide

### Contact Information:

Name	Contact
Technical Services Call Center (Hotline)	Ricoh: (800) 537-4264 Savin/Gestetner: (800) 291-6044 Lanier: (800) 333-3147
Application Help Desk (Software Issues)	Ricoh Phone Card: 2 Call - 000781MIU, 5 Call - 000900MIU Savin Phone Card: 2 Call - 12992, 5 Call - 12993 Gestetner Phone Card: 2 Call - 12994, 5 Call - 12995
National Reclamation Center	(800) 557-4264 <a href="http://www.nrc-usa.com">http://www.nrc-usa.com</a>
Technology Solutions Center Web Site	<a href="http://www.tscweb.net">http://www.tscweb.net</a>
Ricoh Web Site	<a href="http://www.ricoh-usa.com/">http://www.ricoh-usa.com/</a>
Savin iLINC Web Site	<a href="http://w3.savin.com">http://w3.savin.com</a>
Gestetner ILINE Web Site	<a href="http://W3.gestetnerusa.com">http://W3.gestetnerusa.com</a>
Lanier Web Site	<a href="http://www.lanier.com">http://www.lanier.com</a>
Headquarter Web Sites	Ricoh Corporation: <a href="http://www.ricoh-usa.com">http://www.ricoh-usa.com</a> Savin Corporation: <a href="http://www.savin.com">http://www.savin.com</a> Gestetner Corporation: <a href="http://www.gestetnerusa.com/">http://www.gestetnerusa.com/</a>
Fax On Demand	(973) 808-3590
Material Safety Data Sheets	(800) 336-MSDS (6737)
Eastern Training Center	(973) 808-7646 <a href="http://www.ricohuniversity.com">http://www.ricohuniversity.com</a>
Western Training Center	(714) 566-3692 <a href="http://www.ricohuniversity.com">http://www.ricohuniversity.com</a>
Lanier Education Center	(678)-824-3000

### Special Tools:

Unique or Common:  
U: Unique for this model  
C: Common with listed model

Item	Part Number	Description	Q'ty	Unique or Common
1	B6455010	SD Card	1	C (General)
2	B6456700	PCMCIA Card Adapter	1	C (General)
3	B6456800	USB Reader/Writer	1	C (General)
4	VSSM9000	Digital Multimeter – FLUKE87	1	C (General)
5	52039502	Silicone Grease – G-501	1	C (General)
6	A2579300	Grease Barrierta – JFE 5 5/2	1	C (General)
7	A2929500	Test Chart (10 pcs/set)	1	C (General)
8	A0069104	Scanner Positioning Pin (4pcs/set)	1	C (General)
9	G0219350	Loop Back Connector (Note)	1	C (General)
10	A2309003	Adjustment Cam – Laser Unit	1	C (General)
11	A2309002	Positioning Pin – Laser Unit	1	C (General)
12	G5885140	Plug - IEEE1284 Type C (Note)	1	C (General)

**NOTE:** Loop-back Connector (item 9) requires Plug - IEEE1284 Type C (item 12).

## B205/B209 Product Support Guide

## Product Order Numbers:

Product Code	EDP Code	BOM	Lanier ID	Item	Model Name
B205	412611	DSm725 N/A 3025 8025	479-1580	25 cpm Mainframe includes standard 2 x 500 Trays, 100 Sheet Bypass, Interchange, Duplex & 128MB RAM.	Gestetner DSm725 Lanier LD225 Ricoh 3025 Savin 8025
B205	412669	DSm725p N/A 3025P 8025P	N/A	25 cpm Mainframe includes standard 2 x 500 Trays, 100 Sheet Bypass, Interchange, Duplex, Printer DIMM, 384MB RAM, 20GB HDD, 10/100 Base TX NIC & USB 2.0	Gestetner DSm725p Lanier N/A Ricoh 3025P Savin 8025P
B205	412612	DSm725sp N/A 3025SP 8025sp	479-1624	25 cpm Mainframe includes standard 2 x 500 Trays, 100 Sheet Bypass, Interchange, Duplex, Printer/Scanner DIMM, 384MB RAM, 20GB HDD, 10/100 Base TX NIC & USB 2.0	Gestetner DSm725sp Lanier LD225SP Ricoh 3025SP Savin 8025sp
B205	412613	DSm725spf N/A 3025SPF 8025spf	N/A	25 cpm Mainframe includes standard 2 x 500 Trays, 100 Sheet Bypass, Interchange, Duplex, Printer/Scanner DIMM, 384MB RAM, 20GB HDD, 10/100 Base TX NIC & USB 2.0, 33.6 Kbps Fax Modem, Standard JBIG, Fax Forward to HDD/E-Mail/Folder, NOTE: Prevents unauthorized copying of confidential documents. Cannot install fax option with this option installed.	Gestetner DSm725spf Lanier N/A Ricoh 3025SPF Savin 8025spf
B205	412614	DSm725spi N/A 3025Pspi 8025Pspi	N/A	25 cpm Mainframe includes standard 2 x 500 Trays, 100 Sheet Bypass, Interchange, Duplex, Printer/Scanner DIMM, 384MB RAM, 20GB HDD, 10/100 Base TX NIC & USB 2.0, DocumentMall with 500MB/ 3 Year Storage.	Gestetner DSm725spi Lanier N/A Ricoh 3025SPi Savin 8025spi
B209	412615	DSm730 N/A 3030 8030	479-1581	30 cpm Mainframe includes standard 2 x 500 Trays, 100 Sheet Bypass, Interchange, Duplex & 128MB RAM.	Gestetner DSm730 Lanier LD230 Ricoh 3030 Savin 8030



## B205/B209 Product Support Guide

Product Code	EDP Code	BOM	Lanier ID	Item	Model Name
B209	412670	DSm730p N/A 3030P 8030P	N/A	30 cpm Mainframe includes standard 2 x 500 Trays, 100 Sheet Bypass, Interchange, Duplex, Printer DIMM, 384MB RAM, 20GB HDD, 10/100 Base TX NIC & USB 2.0	Gestetner DSm730p Lanier N/A Ricoh 3030P Savin 8030P
B209	412616	DSm730sp N/A 3030SP 8030sp	479-1625	30 cpm Mainframe includes standard 2 x 500 Trays, 100 Sheet Bypass, Interchange, Duplex, Printer/Scanner DIMM, 384MB RAM, 20GB HDD, 10/100 Base TX NIC & USB 2.0	Gestetner DSm730sp Lanier LD230SP Ricoh 3030SP Savin 8030sp
B209	412617	DSm730spf N/A 3030SPF 8030spf	N/A	30 cpm Mainframe includes standard 2 x 500 Trays, 100 Sheet Bypass, Interchange, Duplex, Printer/Scanner DIMM, 384MB RAM, 20GB HDD, 10/100 Base TX NIC & USB 2.0, 33.6 Kbps Fax Modem, Standard JBIG, Fax Forward to HDD/E-Mail/Folder, NOTE: Prevents unauthorized copying of confidential documents. Cannot install fax option with this option installed.	Gestetner DSm730spf Lanier N/A Ricoh 3030SPF Savin 8030spf
B209	412618	DSm730spi N/A 3030SPi 8030spi	N/A	30 cpm Mainframe includes standard 2 x 500 Trays, 100 Sheet Bypass, Interchange, Duplex, Printer/Scanner DIMM, 384MB RAM, 20GB HDD, 10/100 Base TX NIC & USB 2.0, DocumentMall with 500MB/ 3 Year Storage.	Gestetner DSm730spi Lanier N/A Ricoh 3030SPi Savin 8030spi
B810	412393	---	216-7123	ARDF NOTE: cannot install platen cover and ARDF at the same time	DF83
B406	410779	---	481-0397	Platen Cover NOTE: cannot install platen cover and ARDF at the same time	Platen Cover Type 1018
B391	410958	---	481-0477	LCT Cannot install PS500, PS40 or cabinet at the same time	PS500
B390	412520	---	481-0457	Paper Bank Cannot install PS500, PS40 or cabinet at the same time	PS490
B413	410961	---	481-0459	Inner 1Bin Tray	PT350
B733	412311	---	---	HDD Type 3030 Note: required only for the basic machine	Hard Driver Drive Type 3030
B459	410964	---	481-0460	Internal tray cannot install bridge unit and internal shift sort tray at the same time	Internal Shift Sort Tray Type 1027

## B205/B209 Product Support Guide

Product Code	EDP Code	BOM	Lanier ID	Item	Model Name
B408	410972	---	479-1333	1000 Sheet Finisher Note: Bridge Unit is required to install the finisher. The 500 sheet and 1K sheet finisher cannot be installed at the same time.	SR790
B417	410978	---	481-0464	Bridge Unit Note: cannot install bridge unit and internal shift sort tray at the same time	Bridge Unit Type 3232
B442	410975	---	479-1334	500 sheet Finisher Note: Bridge Unit is required to install the finisher. The 500 sheet and 1K sheet finisher cannot be installed at the same time.	SR820
---	411158	---	481-0208	FAC20 Cabinet Cannot install PS500, PS40 or cabinet at the same time	FAC20 Cabinet
B767	412597	---		Printer/Scanner Option Kit NOTE: Kit Includes: Scanner/Printer DIMM, 10/100 Base TX NIC, USB 2.0, 256MB RAM, 20GB HDD,	Printer/Scanner Unit Type 3030
B757	412312	---		Post Script 3	Post Script 3 Unit Type 3030
B735	412152	---	216-7093	HDD overwrite option	Data Over Security Unit Type D
G813	402378	---	481-0907	Wireless LAN Note: IEEE1394, IEEE1284, Wireless LAN Interface (802.11b), or Bluetooth cannot be installed at the same time.	IEEE 802.11b Interface Kit Type H
B679	411699	---	481-0786	1284 Kit Note: IEEE1394, IEEE1284, Wireless LAN Interface (802.11b), or Bluetooth cannot be installed at the same time.	IEEE 1284 Interface Board Type A
B581	411264	---	481-0683	1394 Kit Note: IEEE1394, IEEE1284, Wireless LAN Interface (802.11b), or Bluetooth cannot be installed at the same time.	IEEE 1394 Interface Board Type B
B736	412178	---	216-7092	Bluetooth Note: IEEE1394, IEEE1284, Wireless LAN Interface (802.11b), or Bluetooth cannot be installed at the same time.	Bluetooth Interface Unit Type 3245
B609	411400	---	481-0679	MLB2	File Format Converter B
B766	412619	---		Fax Unit cannot install Copy Data Security and fax unit at the same time	Fax Option Type 3030

## B205/B209 Product Support Guide

Product Code	EDP Code	BOM	Lanier ID	Item	Model Name
B768	412318	---		Additional G3 Interface max on two can be installed giving the machine 3 fax lines	G3 Interface Unit Type 3030
G578	001342MIU (R) 2960184 (S)	---	481-0174	Fax SAF memory	Memory Unit Type B 32MB
B433	410781	---	481-0393	Handset	Handset Type 1018
B735	412320	---	216-7093	Copy Data Security Unit Note: Cannot install fax option with this option installed. Must deactivate Scan to email/Folder/Twain.	Copy Data Security Unit Type A
B452	411013	---	481-0478	Key Counter Bracket	Key Counter Bracket Type 1027
G395	402270	---	481-0877	User Account Enhance Unit Note: Increases account codes from 100 to 500 required only for the basic machine	User Account Enhance Unit Type E

## Supply Order Numbers / Yields:

Item	EDP Code/ Lanier ID	Name	Target Yield
<b>Gestetner</b>			
<b>DSm725/ DSm725sp/ DSm725spf/ DSm725spi/ DSm725p</b>			
<b>DSm730/ DSm730sp/ DSm730spf/ DSm730spi/ DSm730p</b>			
Toner Black	89870	Tone Type 2212	11K
Staple Set Cartridge (SR790)	89858	Staple CSC760A	5K x 1/carton
Staple Refill Cartridge (SR790)	89859	Staple Refill Type K CSC761B	5K x 3/carton
Staple Set Cartridge (SR830)	2960880	Staple Cartridge Type G	3K x 4/carton
Marker 30 Fax Stamp	1600089	Marker Stamp Type 30	1 oz carton of 4 markers
<b>Lanier</b>			
<b>LD225/ LD225SP</b>			
<b>LD230/ LD230SP</b>			
Toner Black	480-0068	Black Toner	11K
Staple Set Cartridge (SR790)	480-0062	Ricoh Staple Type K	5K x 1/carton
Staple Refill Cartridge (SR790)	480-0063	Ricoh Refill Staple Type K	5K x 3/carton
Staple Set Cartridge (SR820)	117-0273	Ricoh Staple Type G	3K x 4/carton
Marker 30 Fax Stamp	481-0483	Marker Stamp Type 30	1 oz carton of 4 markers
<b>Ricoh</b>			
<b>3025/ 3025SP/ 3025SPF/ 3025Spi/ 3025P</b>			
<b>3030/ 3030SP/ 3030SPF/ 3030Spi/ 3030P</b>			
Toner Black	888169	Ricoh Toner Type 2120D	11K
Staple Set Cartridge (SR790)	410801	Ricoh Staple Type K	5K x 1/carton
Staple Refill Cartridge (SR790)	410802	Ricoh Refill Staple Type K	5K x 3/carton

## B205/B209 Product Support Guide

Item	EDP Code/ Lanier ID	Name	Target Yield
Staple Set Cartridge (SR820)	410133	Ricoh Staple Type G	3K x 4/carton
Marker 30 Fax Stamp	334049	Marker Stamp Type 30	1 carton of 4 markers
<b>Savin</b>			
<b>8025/ 8025sp/ 8025spf/ 8025spi/ 8025P</b>			
<b>8030/ 8030sp/ 8030spf/ 8030spi/ 8030P</b>			
<b>Toner Black</b>	9870	Savin Toner Type 2522	11K
Staple Set Cartridge (SR790)	9858	Savin Staple Type K	5K x 1/carton
Staple Refill Cartridge (SR790)	9859	Savin Staple Refill Type K	5K x 3/carton
Staple Set Cartridge (SR820)	9670	Savin Staple Type G	3K x 4/carton
Marker 30 Fax Stamp	1600089	Marker Stamp Type 30	1 carton of 4 markers

**Note:** \*A4, 6% chart is used to measure the above yield

### Target Reliability:

	B205	B209
ACV	7K/month	9K/month
Max Copy Volume	35K/month	45K/month
PM Interval	60K PCU 120K others	60K PCU 120K others

\*For more information regarding Target Reliability, refer to the Cost Fact Sheet.

### Initial Recommended Service Parts:

Part Number	Description	Quantity	Remarks
AZ230167	POWER SUPPLY UNIT: 209W:DOM/NA	1	Replace as needed
B2094095	THERMOSTAT - 180C	1	Replace as needed
B2155301	CONTROLLER BOARD-25 CPM	1	Replace as needed
B2155302	CONTROLLER BOARD 30 CPM	1	Replace as needed
B2095050	PCB:SBCU	1	Replace as needed
B2091915	LASER DIODE UNIT	1	Replace as needed
B2095110	IPI PCB	1	Replace as needed
AZ320146	POWER PACK	1	Replace as needed
B2091673	LENS UNIT	1	Replace as needed
B7125172	FCU PCB	1	Replace as needed
B7665180	PCB: MBU	1	Replace as needed
AX440141	FUSING LAMP	1	Replace as needed
AX440140	FUSING LAMP	1	Replace as needed

- Refer to PM Table for additional initial recommended part numbers.

## B205/B209 Product Support Guide

### Service Information:

### Firmware Structure:

SD card will be used to upgrade the B205/ B209 Firmware (common with B140)

Firmware SD Card	Firmware Type
Controller	System/Copy
SBCU	Engine
LCDC	Operation Panel
FCU	Fax
MBU	Fax Applications
NCS	NIB
Language	17 Optional Operation Panel Languages
Printer	Printer
Rfax	Rfax
PS3	PostScript 3 Firmware
Scanner	Scanner
WebDocBox	WebDocBox
Netfile	Netfile
WebSystem	WebSystem
DESS	Data Encryption Software Support

### Service Programs to Note:

SP Mode	Description	Note
<b>SP 2-801</b>	<b>Development Initialization</b>	<b>Initializes the development and resets the TD and ID sensors outputs.</b>
SP 4-999	ADF Scan Glass Dust Check	Display warning message to clean the slit glass for the ADF to prevent lines on copies
SP 5-104	A3/DLT Double Count	0:No / 1:Yes (Special SP Mode)
SP 5-307	Daylight Savings Time	Enables and Disables Daylight Savings Time
SP 5-404*	User Code Count Clear	Clears the <b>counts</b> not the user codes for the user codes assigned by the Key Operator to restrict the use of the machine
SP 5-812	Service Telephone Number	Add the Service phone number, fax number, supply number, the sales rep number
SP 5-828-69	Job Spooling Protocol	Disables and Enables protocols used for job spooling
SP 5-828-90	Telnet On/OFF	Turn telnet on/off without telnet'ing into the machine
SP 5-828-91	Web On/Off	Turn on/off WIM
SP 5-832	HDD	Used to initialize the HDD
SP 5-833	E-Cabinet Enables	Enable/Disable E-Cabinet (Special SP Mode)
SP 5-836	Capture Settings	Settings related to the capture feature
SP 5-839	IEEE 1394	Used to set IEEE 1394 settings
SP 5-840	IEEE 802.11b	Used to set IEEE 802.11b settings
SP 5-841	Supply Name Setting	Press the User Tools key. These Names appear when the user presses the inquiry button on the User Tools Screen.
SP 5-842	Net File Analysis Mode Setting	Net files are jobs to be printed from the document server using a PC and the DeskTop Binder software
SP 5-844	USB	Used to set USB settings
SP 5-845	Delivery Server Setting	Provides items for Delivery Server setting

## B205/B209 Product Support Guide

SP Mode	Description	Note
SP 5-846	UCS Settings	Provides items for Delivery Server setting address book settings and LDAP settings
SP 5-847	Net File Resolution Reduction	Net files are jobs to be printed from the document server using a PC and the DeskTop Binder software
SP 5-848	Web Service (Access Control)	Used for access and deliveries from Scan Router
SP 5 849	Installation Date	Displays or prints the installation date of the machine
SP 5 851	Bluetooth Mode	Sets the operation for the Bluetooth Unit (Public / Private)
SP 5-853	Stamp Download	Copies Stamp Data from the ROM to the HDD
SP 5-857	Debug Log	Stores information to troubleshoot unit
SP 5-859	Debug Save Key	Determines what information is stored to troubleshoot
SP 5-860	SMTP/POP3/IMAP4	Changes settings for the STMP/POP3/IMAP4 server information
SP 5-871	HDD Disable	Used for DOSS for the most secure functions. Using this SP will disable Document Server, Scanning functions, and Sample and Lock Print functions.
SP 5-873	SD Card Appli Move	Copies the application programs from the original SD Card to the Printer/Scanner SD Card
SP 5-907	Plug and Play	Savin/Gestetner/Lanier Branding requires selection at install
<b>SP 5 985</b>	<b>Device Settings</b>	<b>The NIB and USB support features are built into the controller. Use this SP to enable and disable these features.</b>
SP 7-804	PM Counter Reset	Clears PM counters

\* SP in **BOLD** are new and are needed in installation procedure.

### Non Recommended Paper:

- Paper for inkjet printers
- Thermal fax paper
- Art paper
- Aluminum foil
- Carbon paper
- Conductive paper
- OHP transparencies for color copying
- Paper with perforated lines
- Hemmed paper
- Bent, folded or creased paper
- Torn paper
- Slippery paper
- Perforated paper
- Rough paper
- Thin paper with little stiffness
- Paper with a dusty surface

## B205/B209 Product Support Guide

### Branding:

Branding is required as the machines are shipped as a generic version.

**Ricoh version machines:** You must attach the model label (provided) to the front cover.

**Savin/Gestetner/Lanier:** You must attach the model label (provided) to the front cover and set the Plug and Play name with SP 5-907.

**Gestetner**

**LANIER**

**RICOH**

**SAVIN**

## B205/B209 Product Support Guide

### Revisions:

- 1.0 Original
- 2.0 Change banner page so the file will open quicker.  
Remove the G for the Gestetner products.