

## B132 / B200 Product Support Guide

### Introduction

<b><u>Launch Date:</u></b>	7/15/2005
<b><u>S/N Configuration:</u></b>	K59 / K60
<b><u>Product Code:</u></b>	B132 / B200

Product Code	Gestetner	Lanier	Ricoh	Savin
B132	DSc460	LD160c	Aficio 3260C	C6045
B200	CS555	LC155	Aficio 5560	SDC555

### Training Information:

Training for the B132/B200 will be accomplished by a Five-day Instructor-led training course for all technical professionals. The official name of the course will be B132/B200 Color MFP.

### Training Prerequisites:

Prerequisites are Technical Professionals previously certified on the B023, B186, or the G080 Instructor Lead Course. (G080 self-pace not eligible).

If you have any questions regarding this or any other training, please contact the Service Education and Development Division at (973) 882-5797.

### Documentation

Description	EDP Code	E-Source Content ID
Service Manual	002446MIU	RFG019257
Parts Catalog	002447MIU	RFG019262
Point to Point	002448MIU	RFG019258

If you have any questions regarding this or any other training, please contact the Service Education and Development Division at (973) 882-5797.

### Product Concept:

The B132/B200 is a High Volume BW & Color MFP, which offers high productivity in both BW & Color. The B132 / B200 also offers outstanding color capability that is equivalent to conventional color dedicated devices.

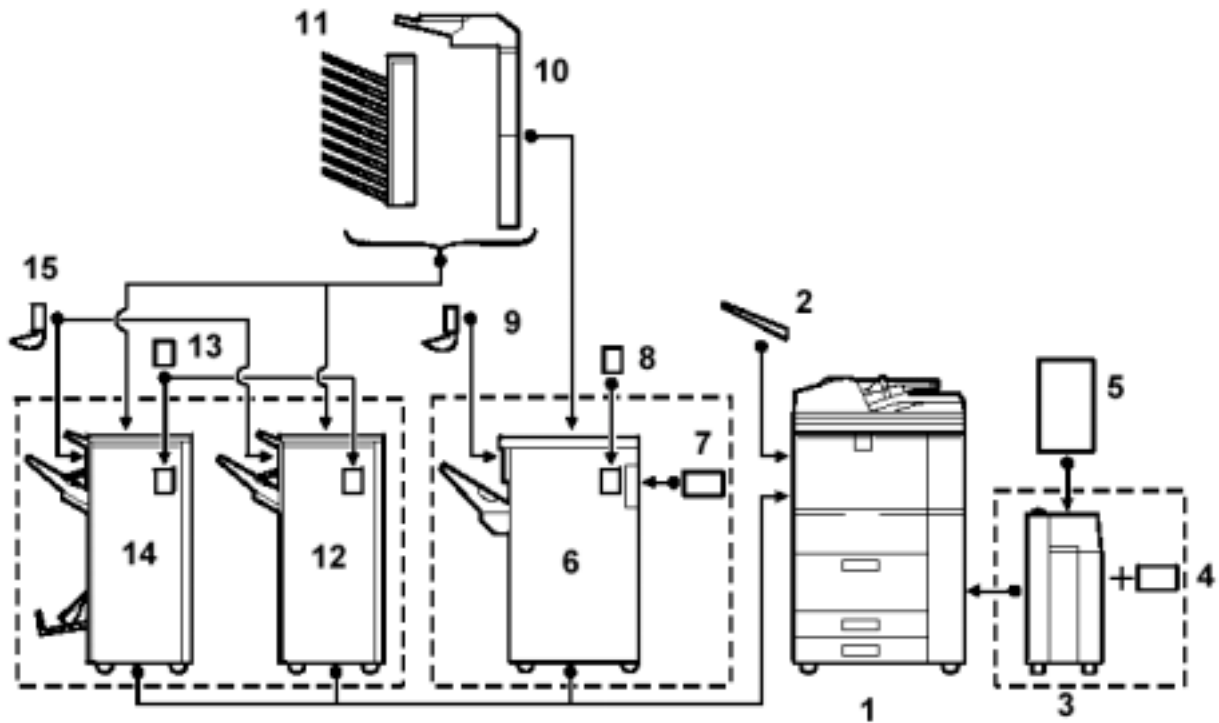
### Copy Speed:

B132 – FC 45cpm / BW 60cpm  
 B200 – FC 55cpm / BW 60cpm



## B132 / B200 Product Support Guide

### Machine Configuration



No.	Model	Name	Comments
1	B132/B200	Copier	Mainframe
2	B476	Copy Tray	Attached to Mainframe
3	B473	LCT	Paper Bank
4	B699	LCT Adapter	Required for LCT
5	B474	Legal Paper size tray	LCT Option
6	B706	3000 Sheet Finisher	No Saddle Stitching
7	B698	Finisher Adapter	Required for B706
8	B531	Punch Unit	For B706 only
9	B513/A821	Output Jogger Unit	For B706 only
10	B704	Cover Sheet Interposer	For B700, B701, B706
11	B762	Mailbox	For B700, B701 only
12	B701	3000 Sheet Finisher	No Saddle-stitching (1 tray)
13	B702	Punch Unit	For B700, B701
14	B700	3000 Sheet Finisher	Saddle-stitching (2 trays)
15	B703	Output Jogger Unit	For B700, B701

## B132 / B200 Product Support Guide

### Product Codes / Accessories / Interchangeability

Model Name	Description	EDP Code	Lanier ID	Product Code	Common / Unique
RICOH Aficio 3260C Savin C6045 Gestetner DSc460 Lanier LD160c	<u>B132 Mainframe</u>  45 ppm Color 60 ppm B/W	412507	216-1225	B132	U
RICOH Aficio Color 5560 Savin SDC555 Gestetner CS555 Lanier LC155	<u>B200 Mainframe</u>  55 ppm Color 60 ppm B/W	412509	216-1226	B200	U
Tab Sheet Holder Type 3260	Tab Sheet Holder	412203	216-7112	B499	U
Copy Tray Type 2075	Copy Tray	412190	216-7113	B756	C
SR970	3000sheet/50sheet Staple Finisher	412205	216-1227	B701	U
SR980	2000sheet/Saddle Stitch Finisher	412207	216-1228	B700	U
Punch Unit Type 3260 NA 3/2	Punch Unit for SR970/980 3/2	412209	216-7116	B702	U
Output Jogger Unit Type 3260	Jogger Unit for SR970/980	412212	216-7117	B703	U
A3/11"x17" Tray Unit Type 1075	A3/11"x17" Tray	411398	481-0678	B331	C
Mail Box CS391	9-bin Mailbox	412191	216-1229	B762	C
Cover Interposer Tray Type 3260	Cover Interposer	412213	216-7118	B704	U
Card Reader Bracket Type B	Key Card Bracket	412279	216-7122	B498	U
Printer/Scanner Unit Type 3260	Printer/Scanner Unit_NA	412583	216-7119	B737	U
PostScript3 Unit Type 3260	PostScript3 Unit	412223	216-7120	B761	U
Interface Unit Type 3260	NIC+USB2.0	412222	216-7121	B736	U
Copy Connector Type 3260	Copy Connector	412415	216-7127	B328	U
IEEE 802.11b Interface Unit Type H	Wireless LAN	402378	216-7091	B736	U
LCT Adapter Type B (*1)	LCT Adapter	412204	216-7114	B699	U
RT43 (*1)	RT43	411182	481-0527	B473	C
8 1/2"x 14" Paper Tray Type 1075	8 1/2"x 14" Paper Size Tray	411187	481-0534	B474	C
SR841 (*2)	SR841 3000sheet/100sheet Staple Finisher	411873	479-1566	B706	C
Finisher Adapter Type A (*2)	Finisher Adapter for SR841	412215	216-7115	B698	U
Punch Unit Type 1075 NA 3/2	Punch Unit	411198	481-0529	B531	C
Output Jogger Unit Type 1075	Output Jogger Unit	411206	481-0538	B513	C
File Format Converter Type B	File Format Converter	411400	481-0679	B609	C
Key Counter Bracket Type 1027	Key Counter Bracket	411013	481-0478	B452	C
DataOverSecurity Unit Type C	DataOverSecurity Unit	411989	481-0873	B735	C
IEEE 1394 Interface Board Type B	IEEE 1394 Interface Board	411264	481-0683	B581	C
IEEE 1284 Interface Unit Type A	IEEE 1284 Interface Unit	411699	481-0786	B679	C
VM Card Type B	VM Card	412225	481-0916	B782	C
Bluetooth Interface Unit Type 3245	Bluetooth Interface Unit	412178	216-7092	B736	C

**Notes:**

- \*1. LCT adapter type "B" is needed to install the RT43. Both RT43 and the adapter can be ordered as a kit. (#002450miu)
- \*2. Finisher adapter type "A" is needed to install the SR841. Both the SR841 and adapter can be ordered as a kit. (#002451miu)

**B132 / B200 Product Support Guide**

**Continued...**

<b>Model Name</b>	<b>Description</b>	<b>EDP Code</b>	<b>Lanier ID</b>	<b>Common / Unique</b>
EFI Fiery E-7000 Controller	Fiery Print Controller	412404	216-1230	U
EFI Impose	Imposition Utility (USB Dongle activated)	002432MIU	216-7136	U
EFI Impose	Imposition Utility (Parallel Dongle activated)	002433MIU	216-7136	U
AutoTrap	AutoTrap Utility for E-7000	002437MIU	216-7138	U
Hot Folders	Hot Folder Utility for E-7000	002439MIU	216-7139	U
Spot-On	Spot-On Utility for E-7000	002438MIU	216-7140	U
Fiery PrintShopMail for PC	Fiery PrintShopMail for PC	411478	216-7141	U
Fiery PrintShopMail for Mac	Fiery PrintShopMail for Mac	411479	216-7142	U

## B132 / B200 Product Support Guide

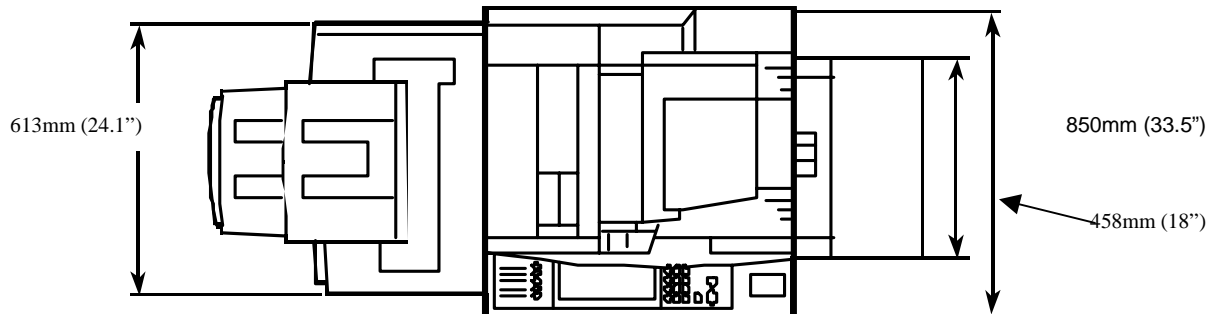
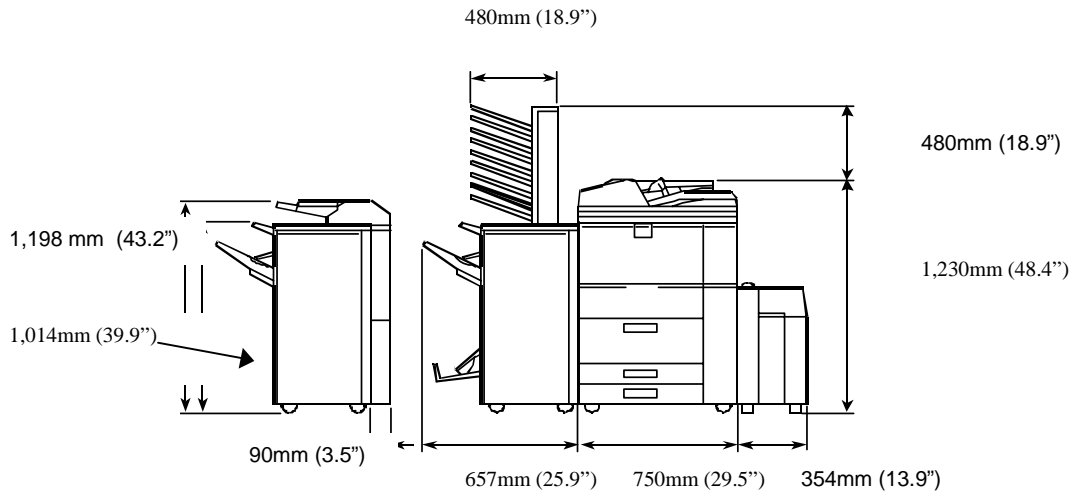
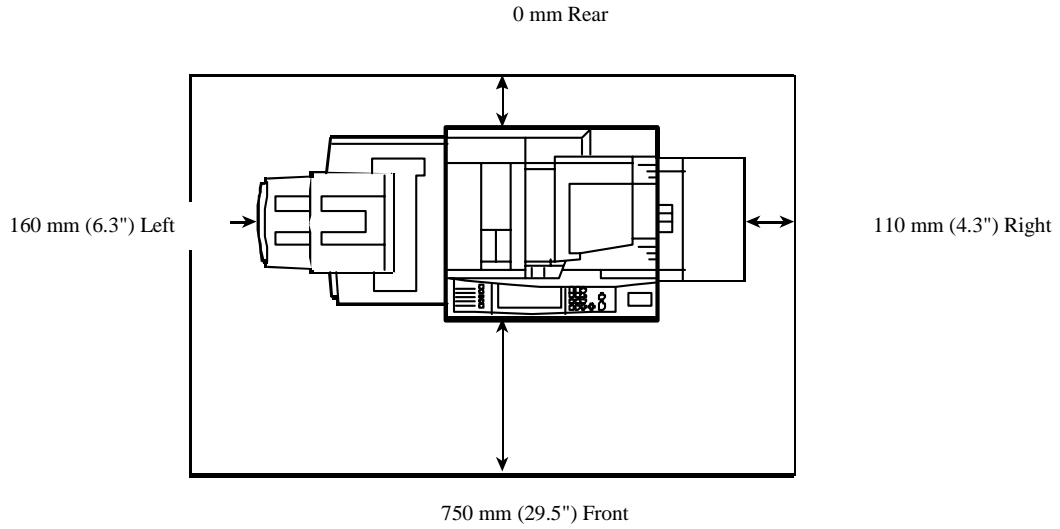
### Option Correlation

	1.DTL/A3 Tray	2.Tab Sheet Holder	3.LCT	4.LCT Adapter	5.LCT LG Unit	6.Copy Tray	7.50sheet staple Finisher-A	8.Saddle Stitch Finisher-B	9.100sheet Staple Finisher-C	10.Finisher Adapter for Fin-C	11.Punch Units for Fin-A & B	12.Punch Unit for Fin-C	13.9-bin Mailbox	14.Cover Interposer	15.Jogger Unit for Fin-A & B	16.Jogger Unit for Fin-C	17.Printer / Scanner Unit	18.PS3	19.NIC+USB2.0	20.IEEE1394	21.IEEE1284 Centro	22. Wireless LAN	23.Bluetooth	24.DataOverwrite Security Option	25.VM Card Type B	26.Copy Connector	27.File Format Converter	28.EFI Fiery Controller Unit
1. DTL/A3 Tray	■																											
2. Tab Sheet Holder		■																										
3. LCT			■	M																								
4. LCT Adapter				■																								
5. LCT LG Unit					■																							
6. Copy Tray						■	X	X	X	X	X	X	X	X	X	X												
7. 50sheet staple Finisher-A							X	■	X	X	X		X			X												
8. Saddle Stitch Finisher-B							X	X	■	X	X		X			X												
9. 100sheet Staple Finisher-C							X	X	X	■	M	X		X		X												
10. Finisher Adapter for Fin-C							X	X	X	M	■	X		X		X												
11. Punch Units for Fin-A & B							X	1	1	X	X	■	X			X												
12. Punch Unit for Fin-C							X	X	X	M	M	X	■	X		X												
13. 9-bin Mailbox							X	1	1	X	X		X	■	X													
14. Cover Interposer							X						X	■														
15. Jogger Unit for Fin-A & B							X	1	1	X	X		X		■	X												
16. Jogger Unit for Fin-C							X	X	X	M	M	X		X		X	■											
17. Printer / Scanner Unit																	■		X									X
18. PS3																		■										X
19. NIC+USB2.0																		X	■									
20. IEEE1394																				■	X	X	X					
21. IEEE1284 Centro																					■	X	X					
22. Wireless LAN																						■	X					
23. Bluetooth																							■	X				
24. DOS Unit																								■				
25. VM Card Type B																									■			
26. Copy Connector																										■		
27. File Format Converter																											■	
28. EFI Fiery Controller Unit																			X	X	X	X	X	X				■

(X) Cannot be installed together (M) Must be installed together (1) Must select one of these two options & install together

**B132 / B200 Product Support Guide**

**Machine Space Requirements**



## B132 / B200 Product Support Guide

### Installation Requirements

Temperature Range:	Recommended Temp.: 23°C (73.4°) Allowed Temp.: 10°C to 32°C (50°F to 90°F) *1
Humidity Range:	15% to 80% Rh
Ambient Illumination:	Less than 1,500 lux (do not expose to direct sunlight or strong light.)
Ventilation:	Air must be replaced a minimum of 3 times per hour
Ambient Dust:	Less than 0.10 mg/m <sup>3</sup>

\*1 If the machine is installed in a location where the ambient temperature is more than 30°C (86°F)

- Never turn the main power switch off immediately after a long copy job. Leave the machine on so the fans can expel the hot air from the machine and cool the electronic components.

### Power Requirements

Input voltage level: 120 V, 60 Hz: 20 A  
Permissible voltage fluctuation: +/-10%  
Never set anything on the power cord.  
The required wall outlet is NEMA 5 – 20R.



### SERVICE TIME ESTIMATIONS

#### Installation Times

Main Frame: 45minutes

#### Peripherals:

Finisher:	<u>15 minutes</u>	Printer/Scanner:	<u>5 minutes</u>
LCT:	<u>15 minutes</u>	NIB:	<u>5 minutes</u>
Mailbox:	<u>10 minutes</u>	IEEE 1394:	<u>5 minutes</u>
Booklet Finisher:	<u>15 minutes</u>	USB 2.0:	<u>5 minutes</u>
Punch Kit:	<u>15 minutes</u>	Bluetooth:	<u>5 minutes</u>
		Wireless LAN:	<u>5 minutes</u>

### Target Reliability

Item	B132 / B200
ACV	30K prints
Max CV	150K prints
Target Color Ratio	50%
PM interval by target color ratio	150K prints
Color Ratio Durability (*1)	50 – 100%

All items above are calculated based on the machine ACV assuming the following:

PM is regularly performed.

Recommended paper types are used.

The machine is installed under operable environmental conditions.

(\*1) Durability: References machine life and is unaffected by color ratio.

## B132 / B200 Product Support Guide

**Utility Software** (Note: These are specific to the GW Controller. Fiery will have its own set of utilities / software.)

Software	Description
Font Manager (Win95/98/ME, NT4, 2000, XP, Server 2003):	<ul style="list-style-type: none"> <li>■ The Font Manager 2000 installs the screen fonts in your Windows 95/98/Me/NT 4.0/2000/XP/Server 2003. Installing the screen fonts for the printer fonts improves the WYSIWYG quality.</li> </ul>
Smart Device Monitor for Admin:	<ul style="list-style-type: none"> <li>■ A utility for administrators who need to manage and monitor printers over the network.</li> <li>■ The Smart Device Monitor for Admin for Windows 95/98/Me/NT 4.0/2000/XP/Server 2003</li> <li>■ Setup utilities are also available.</li> <li>■ Our device monitoring software has been renamed from Smart Net Monitor to Smart Device Monitor. Operation of Smart Device Monitor is the same as SmartNetMonitor. In case you already have SmartNetMonitor installed in your PC overwrite it with Smart Device Monitor, software settings and log data will be carried over.</li> </ul>
Smart Net Monitor for Client (Win95/98/ME, NT4, 2000, XP, Server 2003)	<ul style="list-style-type: none"> <li>■ A utility enables you to access networked printers to print, to monitor and to receive notices without a server. This utility also enables the following features:                             <ul style="list-style-type: none"> <li>◆ Recovery Printing</li> <li>◆ Parallel Printing</li> </ul> </li> <li>■ Our device monitoring software has been renamed from SmartNetMonitor to SmartDeviceMonitor. Operation of Smart Device Monitor is the same as Smart Device Monitor. In case you already have SmartNetMonitor installed in your PC overwrite it with Smart Device Monitor, software settings and log data will be carried over.</li> </ul>
Device Graphic Update Module	<ul style="list-style-type: none"> <li>■ Device Graphic Update Module provides bitmap images used to represent the various statuses of devices graphically within Smart Device Monitor or Web Smart Device Monitor.</li> </ul>
Desktop Binder	<ul style="list-style-type: none"> <li>■ DTB enables you to connect a client computer to an I/O device. You can efficiently input, edit, and output the data on your computer.</li> </ul>
Printer Utility for Mac	<ul style="list-style-type: none"> <li>■ This is a utility for Macintosh that provides access to several network printing administrative features.</li> </ul>
PS Descriptions	<ul style="list-style-type: none"> <li>■ PDD for Mac</li> <li>■ By interacting with the Adobe PostScript 3 controller in the device, this PPD is able to produce an accurate representation of the screen image.</li> </ul>
IEEE 1394 Printer Removal Utility	<ul style="list-style-type: none"> <li>■ This utility completely removes all printers connected via IEEE 1394 interface from your Windows 2000/XP/Server 2003 system. This will prepare your Windows 2000/XP/Server 2003 system for the proper reinstallation of IEEE 1394 printers.</li> </ul>
PPD Installer	<ul style="list-style-type: none"> <li>■ This PPD installer is used to install a PPD (Postscript Printer Description) file on Mac OSX. PPD files contain descriptions of printer capabilities such as paper sizes, number of input trays and duplexing. Once the PPD file is installed on the system using the PPD installer, the PS driver that comes bundled with Mac OS X can use the information in the PPD to control the print device and enable full functionality. Please see the Readme file for information about compatibility with versions of Mac OS X.</li> </ul>
RPCS Driver	<ul style="list-style-type: none"> <li>■ The RPCS printer drivers provide high productivity and simple operation.</li> </ul>
PCL 6 Driver	<ul style="list-style-type: none"> <li>■ The PCL 6 printer drivers provide faster printing and better what-you-see-is-what-you-get (WYSIWYG) than PCL 5c drivers.</li> </ul>
PCL 5c Driver	<ul style="list-style-type: none"> <li>■ The PCL 5c printer drivers are the recommended printer drivers for this printer. The PCL 5c printer drivers are recommended for users who need</li> </ul>



## B132 / B200 Product Support Guide

Software	Description
	compatibility with PCL 5c printer.
Post Script Driver	<ul style="list-style-type: none"> <li>■ The PostScript printer drivers generate PostScript commands.</li> </ul>
USB Print	<ul style="list-style-type: none"> <li>■ The USB Printing Support provides the solution for USB printing under Windows 98SE/Me. Windows will prompt for these support modules after it recognizes the printer on an USB port for the first time.</li> </ul>
ICM Profiles	<ul style="list-style-type: none"> <li>■ The ICM profiles work under Windows 98/Me/2000/XP/Server2003.</li> </ul>
Network TWAIN Driver	<ul style="list-style-type: none"> <li>■ TWAIN scanner driver for network connections.</li> </ul>
Microsoft Windows NT 4.0 Terminal Server Edition PCL 5c Driver	<ul style="list-style-type: none"> <li>■ Printer driver for color printing in Windows. It supports HP PCL 5c commands. Basically, this is the same driver as PCL5e with color printing functionality added.</li> </ul>
Microsoft Windows NT 4.0 Terminal Server Edition PS Driver	<ul style="list-style-type: none"> <li>■ By interacting with the Adobe PostScript 3 controller in the device, this driver is able to produce an accurate representation of the screen image.</li> </ul>
Microsoft Windows 2000 Terminal Services PCL 5c	<ul style="list-style-type: none"> <li>■ Printer driver for color printing in Windows. It supports HP PCL 5c commands. Basically, this is the same driver as PCL5e with color printing functionality added.</li> </ul>
Microsoft Windows 2000 Terminal Services	<ul style="list-style-type: none"> <li>■ By interacting with the Adobe PostScript 3 controller in the device, this driver is able to produce an accurate representation of the screen image.</li> </ul>

### Contact Information

Name	Contact
Technical Services Call Center (Hotline)	Ricoh: 1-800-537-4264 Savin/Gestetner: 1-800-291-6044 Lanier: 800-333-3147
Application Help Desk (Software Issues)	Ricoh Phone Card: 2 Call - 000781MIU, 5 Call - 000900MIU Savin Phone Card: 2 Call - 12992, 5 Call - 12993 Gestetner Phone Card: 2 Call - 12994, 5 Call - 12995
National Reclamation Center	(800) 557-4264 / <a href="http://www.nrc-usa.com">http://www.nrc-usa.com</a>
Technology Solutions Center Web Site	<a href="http://tsc.ricohcorp.com">http://tsc.ricohcorp.com</a>
Ricoh Web Site	<a href="http://www.ricoh-usa.com/">http://www.ricoh-usa.com/</a>
Savin iLINC Web Site	<a href="http://w3.savin.com">http://w3.savin.com</a>
Gestetner ILINE Web Site	<a href="http://W3.gestetnerusa.com">http://W3.gestetnerusa.com</a>
Lanier Web Site	<a href="http://www.lanier.com">http://www.lanier.com</a>
Headquarter Web Sites	Ricoh Corporation: <a href="http://www.ricoh-usa.com">http://www.ricoh-usa.com</a> Savin Corporation: <a href="http://www.savin.com">http://www.savin.com</a> Gestetner Corporation: <a href="http://www.gestetnerusa.com/">http://www.gestetnerusa.com/</a>
Fax On Demand	(973) 808-3590
Material Safety Data Sheets	1-800-336-MSDS (6737)
Eastern Training Center	(973) 808-7646
Western Training Center	(714) 566-3692
Southern Training Center	(770) 840-4835
Lanier Education Center	(678)-824-3000

## B132 / B200 Product Support Guide

### General Feature

Configuration		Console	
Dimension W x D x H		750 x 850 x 1050mm*	
Weight		Less than 298kg*	
Original Scanning		Flatbed with moving 3-line CCD array image-scanning	
Copy Process		4-drum dry electrostatic transfer system with internal transfer belt	
Development		Dry two-component magnetic brush development*	
Fusing		Oil-less belt fusing system	
ARDF		Standard	
Engine Speed	B132	FC 45cpm / BK 60cpm	<b>Productivity</b> via bypass tray is 45cpm (in FC and BW). <b>Productivity</b> of thick paper via bypass tray is 22.5cpm <b>Productivity</b> of OHP mode is 13cpm
	B200	FC 55cpm / BK 60cpm	
Warm-up Time		300 sec.	
First Copy Output Time	FC	7.5 sec.	
	BK	6.5 sec.	
Original Type		Sheet / Book / Object	
Max Original Size		A3 / 11"x 17"	
Resolution	Copy	600dpi 6bit	
	Print	600dpi 4bit	
	Scan Copy	600dpi 10bit	
	Scan Send	600dpi 8bit	
Max Image-able Size		297 x 600mm	
Magnification	NA Model	7 Reduction & 5 Enlargement	
		93%, 85%, 78%, 73%, 65%, 50%, 25% 121%, 129%, 155%, 200%, 400%	
Zoom		25-400%*	
Paper Capacity	1 <sup>st</sup> Tray	1,100 x 2 Sheets	
	2 <sup>nd</sup> Tray	550 Sheets	
	3 <sup>rd</sup> Tray	550 Sheets	
	Bypass Tray	100 Sheets	
	Max Capacity	7,400 Sheets*	
Original Size Detection -Exposure Glass-		NA Model	
Paper Weight	1 <sup>st</sup> Tray	52.3-127.9 g/m <sup>2</sup> 14-34 lb. Bond	
	2 <sup>nd</sup> Tray	52.3-127.9 g/m <sup>2</sup> * 14-34 lb. Bond*	
	3 <sup>rd</sup> Tray	52.3-127.9 g/m <sup>2</sup> * 14-34 lb. Bond*	
	Bypass Tray	52.3-256 g/m <sup>2</sup> 14-69 lb. Bond / 140 lb. Index / 90 lb. Cover	
	Duplex Unit	64-127.9 g/m <sup>2</sup> 17-34 lb. Bond	
Output Capacity with Copy Tray		500 Sheet*	
Power Specification		120V / 20A / 60Hz	
Max Power Consumption		Less than 1920W	
Counter		Electric counter & Mechanical counter x 2	
Counterfeit Prevention		Bill Recognition & Invisible Marking Function	

**B132 / B200 Product Support Guide**

**Printer Features**

CPU			Intel Celeron LV 733MHz
RAM		Standard	1,384MB*
HDD		Standard	320GB (80GBx4)*
PDL		Standard	RPCS, PCL5c, PCL6
		Option	PS3
Print Resolution		Max.	600 x 600 dpi / 4bit
Font		Standard	PCL: 46 fonts
		Option	PS3: 136 Adobe PostScript Type 1 fonts
Connectivity	Host Interface	Standard	Ethernet (RJ-45 network port: 10Base-T/100Base-TX), USB2.0
		Option**	IEEE1284/ECP, IEEE1394, Wireless LAN (IEEE802.11b), Bluetooth
	Network Protocol		TCP/IP, IPX/SPX, SMB (NetBEUI***, NetBIOS over TCP/IP), Apple Talk (Auto Switching)
	DDNS Support	Related Protocol	TCP/IP
		Support Server	See detail on printer features
	MIB Support	Private MIB	RICOH Original
		Standard MIB	MIB-II (RFC1213), HostResource (RFC1514), PrinterMib (RFC1759)
	Network / Operating System		Windows 95/98SE/NT4.0/2000/Me/XP/Server 2003 Netware 3.12, 3.2, 4.1, 4.11, 5.0, 5.1, 6 Unix; Sun Solaris, HP-UX, SCO Open Server, Red Hat Linux, IBM AIX Mac OS 8.6-9.2x, OS X 10.1 or later

**Scanner Features**

Optical Resolution	Default: 200dpi 100, 150, 200, 300, 400, 600dpi	
Scan Speed	FC: 45spm BK: 60spm	
Max Scan Area	Maximum: 297 x 432mm	
Auto Scan Size Detect	Contact Glass	Supported
	ARDF	Supported
Original Size	Standard	A3 SEF, A4 SEF, A4 LEF, A5 SEF, A5 LEF, B4 SEF, B5 SEF, B5 LEF 11"x17" SEF, 8 1/2"x14" SEF, 8 1/2"x13" SEF, 8 1/2"x11" SEF, 8 1/2"x 11" LEF, 5 1/2"x8 1/2"SEF, 5 1/2"x8 1/2" LEF
	Customized	Minimum: 10 x 10mm Maximum: 297 x 432mm
Compression Method	BW / Binary: TIFF MH/MR/MMR Grayscale / Full Color: JPEG	
Interface Support	10/100base-TX, Wireless LAN, IEEE1394	
Scan Mode	Default	BW Text
	Support	BW_OCR, BW_Text-Photo, BW_Photo, Grayscale FC_Photo, FC_Text-Photo
	Option*	Auto Color Selection, sRGB_Photo, sRGB_Text-Photo *File Format Option is required.
Image Density	Auto Density Selection, Manual Setting_7 Levels	
Image Rotation	Supported	
SADF / Batch Mode	Supported	
Mixed Size Original	Supported	

## B132 / B200 Product Support Guide

### Counter Specifications

#### Development Count

Application	Mode		BK Counter	CMY Counter
Copy	ACS	Detected as Color	+1	+3
		Detected as B&W	+1	
	Full Color		+1	+3
	B&W		+1	
	Single Color	Basic Color	Same as the number of Toners which are actually used *	
		User Color	+1	+3
Two Color	Basic Color	Same as the number of Toners which are actually used *		
	User Color	+1	+3	
Print	Color	Detected as Color	+1	+3
		Detected as B&W	+1	
	B&W		+1	

Appendix: Development Count in Single Color & Two-color

Actual Toner Usage	BK Counter	CMY Counter
BK + one of CMY	+1	+1
BK + two of CMY	+1	+2
BK + C + M + Y	+1	+3
One of CMY		+1
Two of CMY		+2
C + M + Y		+3

#### Page Counters

Application	Mode		Copy Count		Print Count		Total Count	
			FC Copy	BK Copy	FC Print	BK Print	FC Total	BK Total
Copy	ACS	Detected as Color	+1				+1	
		Detected as B&W		+1				+1
	Full Color		+1				+1	
	B&W			+1				+1
	Single Color		+1				+1	
Two Color		+1				+1		
Print	Color	Detected as Color			+1		+1	
		Detected as B&W				+1		+1
	B&W					+1		+1

#### Others (The counters do not increment in the cases below)

Mode	Situation
OHP Slip Sheet Mode	OHP blank slip sheet
Cover Sheet Mode	Copy / Printing blank cover sheet
SP Mode	Printing from SP Mode
Auto Color Calibration	Printing ACC test pattern

#### Total Counter Access

User Tools → Counter → Print Counter List → Start

User Tools → System Settings → Administrator Tools → Display / Print Counter List → Start

Mechanical Counters: → Open Paper Tray 1 (Tandem Tray), counters located on lower left front frame.

## B132 / B200 Product Support Guide

### Supplies: (Toner / Developer)

	Description	Order Numbers	Lanier ID	Yields*
<b>Black</b>	Ricoh <b>Toner</b> Type S1 Black	888392		<b>Toner</b> 36K output / Cartridge
	Ricoh <b>Developer</b> Black	B2009640		
	Savin <b>Toner</b> Type S1 Black	5480		
	Savin <b>Developer</b> Black	B2009640		
	Gestetner <b>Toner</b> Black	85480		
	Gestetner <b>Developer</b> Black	B2009640		
	Lanier <b>Toner</b> Black	888392	216-7105	
	Lanier <b>Developer</b> Black	GB2009640	216-7144	
<b>Yellow</b>	Ricoh <b>Toner</b> Type S1 Yellow	888393		<b>Toner</b> 18K Output / Cartridge
	Ricoh <b>Developer</b> Yellow	B2009680		
	Savin <b>Toner</b> Type S1 Yellow	5483		
	Savin <b>Developer</b> Yellow	B2009680		
	Gestetner <b>Toner</b> Yellow	85483		
	Gestetner <b>Developer</b> Yellow	B2009680		
	Lanier <b>Toner</b> Yellow	888393	216-7108	
	Lanier <b>Developer</b> Yellow	GB2009680	216-7145	
<b>Magenta</b>	Ricoh <b>Toner</b> Type S1 Magenta	888394		<b>Toner</b> 18K Output / Cartridge
	Ricoh <b>Developer</b> Magenta	B2009670		
	Savin <b>Toner</b> Type S1 Magenta	5482		
	Savin <b>Developer</b> Magenta	B2009670		
	Gestetner <b>Toner</b> Magenta	85482		
	Gestetner <b>Developer</b> Magenta	B2009670		
	Lanier <b>Toner</b> Magenta	888394	216-7107	
	Lanier <b>Developer</b> Magenta	GB2009670	216-7146	
<b>Cyan</b>	Ricoh <b>Toner</b> Type S1 Cyan	888395		<b>Toner</b> 18K Output / Cartridge
	Ricoh <b>Developer</b> Cyan	B2009660		
	Savin <b>Toner</b> Type S1 Cyan	5481		
	Savin <b>Developer</b> Cyan	B2009660		
	Gestetner <b>Toner</b> Cyan	85481		
	Gestetner <b>Developer</b> Cyan	B2009660		
	Lanier <b>Toner</b> Cyan	888395	216-7106	
	Lanier <b>Developer</b> Cyan	GB2009660	216-7147	

Based on a 5%, LT Original

### Supplies (Staples)

	Ricoh	Savin	Gestetner	Lanier ID	Yield
Staple Set Cartridge <b>Type K</b> for SR970 / SR980	410801	410803	410805	480-0062	5k x 1
Staple Refill <b>Type K</b> for SR970 / SR980	410802	410804	410806	480-0063	5k x 3
Staple Set Cartridge <b>Type L</b> (Saddle Stitch) for SR980	411240	411242	411244	480-0091	2k x 1
Staple Refill <b>Type L</b> (Saddle Stitch) for SR980	411241	411243	411245	480-0092	2k x 4
Staple Set Cartridge <b>Type H</b> for SR841	410508	410511	410513	117-0332	5k x 1
Staple Refill <b>Type H</b> for SR841	410509	410512	410514	117-0334	5k x 5

**B132 / B200 Product Support Guide**

**Supported Paper Weight Specification**

**Paper Trays:** 14 - 34lb Bond paper / 52.3 – 127.9 g/m<sup>2</sup>  
**Bypass Tray:** 52.3-256 g/m<sup>2</sup> (14-69 lb. Bond / 140 lb. Index / 90 lb. Cover)

**Recommended Plain Paper**

Type	Brand	Name	WT.
Plain	IP_Hammermill	Laser Print	20lb. Bond (75gsm)
	IP_Hammermill	Laser Print	32lb. Bond (120gsm)
	IP_Hammermill	Color Copy	28lb. Bond (105gsm)
	IP_Hammermill	Tidal DP/MP	20lb. Bond (75gsm)
	Boise Cascade	PRO-98	20lb. Bond (75gsm)
	Boise Cascade	X-9	20lb. Bond (75gsm)
	Domter	Nekoosa Bond	24lb. Bond (90gsm)
	Champion	Multipurpose	20lb. Bond (75gsm)
	Champion	Multipurpose	24lb. Bond (90gsm)
	Xerox	Recycle Paper	20lb. Bond (75gsm)

## B132 / B200 Product Support Guide

### Recommended Paper (Cont.)

#### Special Paper

Brand	Name	WT.	Size	Type	Notes
IP_Hammermill	Color Copy Cover	60lb. Cover 162gsm	LT/DLT	Thick	
IP_Hammermill	Color Copy Cover	80lb. Cover 216gsm	LT/DLT	Thick	*1
IP_Hammermill	Color Copy Cover	100lb. Cover 270gsm	LT/DLT	Thick	*1
IP_Hammermill	Color Copy Gloss	32lb. Bond 120gsm	LT/DLT	Coated / Gloss	*1 *3
Wawsaw	Color Copy	80lb. Cover 216gsm	LT/DLT	Thick	*1
Wawsaw	Exact Gloss Coated	80lb. Cover 216gsm	LT/DLT	Coated / Gloss	*1 *3
Domter	Microprint Color Copy	60lb. Cover 162gsm	LT/DLT	Thick	
Domter	Microprint Color Copy	65lb. Cover 176gsm	LT/DLT	Thick	
Eastern Paper	Print High Yield index	110lb. Index 199gsm	LT	Thick	*3
3M	CG3700	-	LT	OHP	<b>OHP Mode</b>
Folex	X485 (1 <sup>st</sup> recommended)	-	LT	OHP	<b>OHP Mode</b>
Blanks USA	1/2/3/4/5/6/7/8/9/10/12 tab	90lb. Index 163gsm	LT	Tab	*2
Blanks USA	1/2/3/4/5/6/7/8/9/10/12 tab	110lb. Index 199gsm	LT	Tab	*2

\*1 Double Feed may occur in HH environment (High Temperature & High Humidity 32.0C/89.6F 54%)

\*2 Possible Jam or Bent Tabs may occur when using Tabs of 9 Tabs or Higher.

\*3 The continuous use of these paper types (for example over 200 to 300 sheets) may cause fusing issues.

#### **Notes:**

Labels should not have any exposed glue or base paper.  
(Die cuts should not penetrate the liner sheet.)

## B132 / B200 Product Support Guide

### Recommended Paper (Cont.)

Ricoh tested the above papers, however, **Ricoh recommends that end users test any paper before purchasing large quantities.** The print quality may be different than expected according to the temperature, humidity and printing applications in which the paper is used. In addition, specifications of the paper may be subject to change, over which Ricoh has no control.

#### **When using special paper:**

- Feed from the bypass tray.
- Select the proper paper type from the printer driver.

#### **Whenever printing from the bypass tray:**

- Paper will be fed out to the face-up external tray.
- Printing numerous sheets of special paper in a short amount of time might create some printing problems.
- Exclusive printing of special paper may result in more frequent service calls, and may significantly reduce the maximum yield of maintenance kits. The projected reliability target assumes occasional use of special paper.

### Paper Not Recommended for this Machine:

Coated Tab Stock  
Chrome coat  
Paper meant for an inkjet printer  
Bent, folded or creased paper  
Curled or twisted paper  
Torn paper  
Wrinkled paper  
Damp paper  
Paper that is dry enough to emit static electricity  
Special paper, such as thermal paper, aluminum foil, carbon paper and conductive paper  
Paper whose weight is heavier or lighter than the specification  
Paper or envelopes with windows, holes, perforations, cutouts, or embossing  
Label paper on which glue or the base paper is exposed  
Paper with clips or staples



## B132 / B200 Product Support Guide

### PM Parts

Copier: B132/B200

### Unique/Common

U: Unique for this model

C: Common with listed model

Part Number	Description	Q'ty/ Unit	PM Interval (Copies)	Unique or Common
<b>Photo Conductor Unit</b>				
B1329510	OPC Drum	4	300k	U
B1322270	Drum Charge Roller Assy	4	150k	U
B1323560	Drum Cleaning Blade	4	150k	U
B1323573	Drum Lubricant Bar	4	150k	U
B1323555	Drum Cleaning Brush Assy	4	300k	U
B1323600	Joint PCU	4	300k	U
B2009640	Developer Cartridge Black	1	300k	U
B2009660	Developer Cartridge Cyan	1	150k	U
B2009670	Developer Cartridge Magenta	1	150k	U
B2009680	Developer Cartridge Yellow	1	150k	U
B1323118	Gear-21Z	1	600k	U
<b>Image Transfer Belt Unit</b>				
B1326050	Image Transfer Belt	1	600k	U
AD042071	Belt Cleaning Brush	1	300k	U
AD041109	Belt Cleaning Scraper Blade	1	300k	U
AD041107	Belt Cleaning Blade	1	300k	U
<b>Paper Transfer Roller Unit</b>				
B1326250	Paper Transfer Roller	1	150k	U
B1326265	PTR Cleaning Blade	1	150k	U
B1326255	PTR Cleaning Brush	1	300k	U
B1326289	PTR Lubricant Bar	1	300k	U
B1326268	Paper Discharge Plate	1	300k	U
<b>Fusing Unit</b>				
B1324090	Fusing Belt	1	600k	U
AE010052	Hot Roller	1	600k	U
AE020152	Pressure Roller	1	600k	U
AE042051	Hot Roller Cleaning Roller	1	600k	U
B1324079	Pressure Roller Cleaning Roller Assy	1	600k	U
AE040062	Oil Supply Roller	1	600k	U
<b>Filters</b>				
B1322435	Dust Filter	1	300k	U
<b>Waste Toner Bottle</b>				
B1326596	Waste Toner Bottle	1	150k	U

## B132 / B200 Product Support Guide

### ADF: B652

Part Number	Description	Q'ty/ Unit	PM Interval	Unique or Common
A8061295	Feed Belt	1	120k	C
B4772225	Pick-Up Roller	1	120k	C
A8592241	Reverse Roller	1	120k	C
B6523121	Transport Belt	1	120k	C

\*The yield figures in the above table are based on the following conditions: \*5 copies/original

### LCT: B473

Part Number	Description	Q'ty/ Unit	PM Interval	Unique or Common
AF030080	Pick-up Roller	1	1000k	C (Model B064/B065)
AF031081	Feed Roller	1	1000k	C (Model B064/B065)
AF032080	Separation Roller	1	1000k	C (Model B064/B065)

### Special Tools

The following special tools should be on hand to most effectively service the new model properly in the field:

#### Unique/Common

**U:** Unique for this model

**C:** Common with model listed

Item	Part Number	Description	Q'ty	Unique or Common
1	B6455010	SD Card	1	C (B070)
2	B6456700	PCMCIA Card Adapter	1	C (B070)
3	B6456800	USB Reader/Writer	1	C (B070)
4	G0219350	Loop Back Connector	1	C (B064/B065)
5	C401 9503	20X Magnification Scope	1	C (General)
6	A2579300	Grease Barrierta – S552R	1	C (General)
7	52039501	Silicon Grease G-501	1	C (General)
8	B1329700	Lubricant Powder	1	U
9	A0929503	C4 Color Test Chart (3 pcs/set)	1	C (General)
10	VSST9501	Connection Kit Color Test Chart (3 sheets/set)	1	U

## B132 / B200 Product Support Guide

### Initial Recommend Service Parts

Refer to PM Table for additional initial recommended part numbers.

Part Number	Description
B1329510	OPC DRUM
AD041107	BELT CLEANING BLADE
AD041109	BELT CLEANING SCRAPER BLADE
AD042062	BELT CLEANING BRUSH
AE010052	HOT ROLLER
AE020144	PRESSURE ROLLER
AE040062	OIL SUPPLY ROLLER
AE042051	HOT ROLLER CLEANING ROLLER
B1322270	DRUM CHARGE ROLLER ASSY
B1322435	DUST FILTER
B1323118	GEAR - 21Z
B1323555	DRUM CLEANING BRUSH ASSY
B1323560	DRUM CLEANING BLADE
B1323573	DRUM LUBRICANT BAR
B1323600	JOINT PCU
B1324090	FUSING BELT
B1324274	PRESSURE ROLLER CLEANING FELT SMALL
B1324285	PRESSURE ROLLER CLEANING FELT LARGE
B1326050	IMAGE TRANSFER BELT
B1326250	PAPER TRANSFER ROLLER
B1326255	PTR CLEANING BRUSH
B1326265	PTR CLEANING BLADE
B1326268	PAPER DISCHARGE PLATE
B1326289	PTR LUBRICANT BAR
B1326596	WASTE TONER BOTTLE
B1329700	LUBRICANT POWDER
B6523121	TRANSPORT BELT
AW020166	PHOTOINTERRUPTOR: PAPER FEED SENSOR
AX430138	HEATER - 350W/120V
AX430140	HEATER - 350W/120V
AX440226	HEATER - 590W/120V
AZ250018	POWER SUPPLY UNIT: 100V
B1325130	PCB: BICU
B1325410	PCB:IOB
B1325768	PCB: CONTROL BOARD
B1325910	HDD: ASS`Y
B1327212	OPERATION PANEL

## B132 / B200 Product Support Guide

### Firmware Structure

SD cards will be used to upgrade the **B132/B200** Firmware

SD Firmware Types	Firmware as shown on Op. Panel	File Name on TSC Website
System_Copy	System	B132_system_vxx.zip
Engine BICU	Engine	B132_Engine_vxx.zip
Dess	Security Module	B132_DESS_vxx.zip
LCDC	Op Panel.NA	B132_LCDC_vxx.zip
NCS	Network Support	B132_NCS_vxx.zip
Netfile	Network Doc Box	B132_Netfile_vxx.zip
Language	Language Data	B132_Language_vxx.zip
Printer	SD Printer	B132_Printer_vxx.zip
Scanner	Opt SD Scanner	B132_Scanner_vxx.zip
Webdocbox	Web Document Box	B132_Webdocbox_vxx.zip
Websystem	Web Support	B132_Websystem_vxx.zip
PS3	Option PS3	B132_PS_vxx.zip
ADF	ADF	B132_ADF_vxx.zip
Finishers	Finisher	B132_SR970_SR980_vxx.zip

### Branding

Branding is required as the machines are shipped as a generic version.

You must adhere the model label (provided) to the front cover and verify the Plug and Play name with SP 5-907.

**B132 / B200 Product Support Guide**

**Revisions:**

7/1/05 – Initial Release – v1.0

7/6/05 – Number change on pg. 3 and description change on pg. 20.

7/12/05 – Black developer yield corrected on pg. 13.